

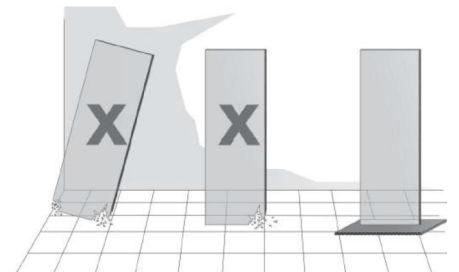
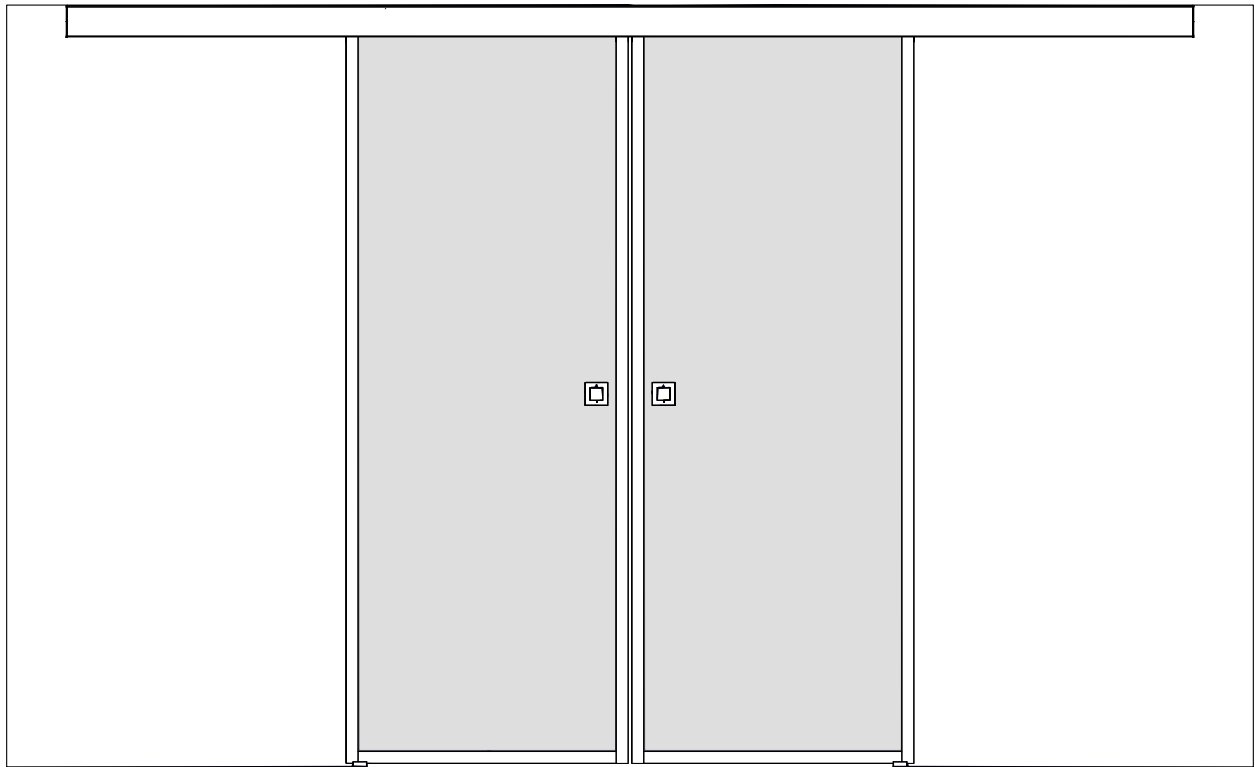


HIETAKARI

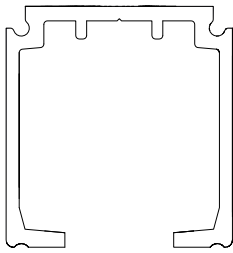
C2N/C2T/C2P



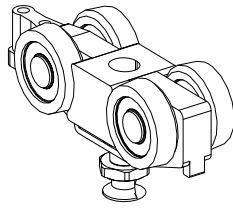
8/25 8PRLM



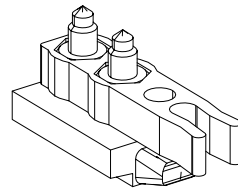
Parts



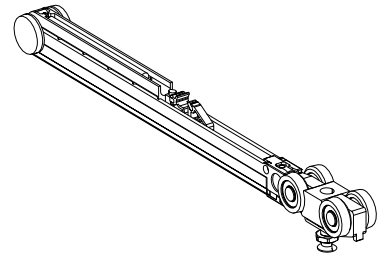
1. x1



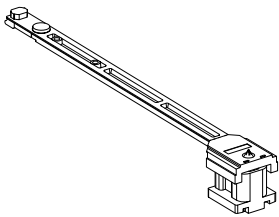
2. A x2
B x0



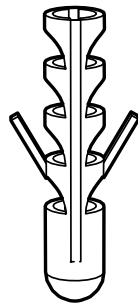
3. A x2
B x0



4. A x2
B x4



5. A x2
B x4



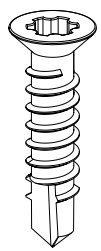
6. 6x30 mm



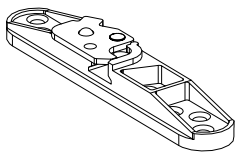
7. 3.5x39 mm



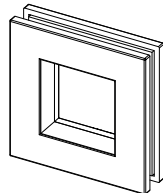
8. x2



9. 4.2x19 mm



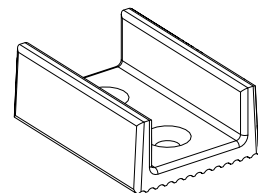
10. x4



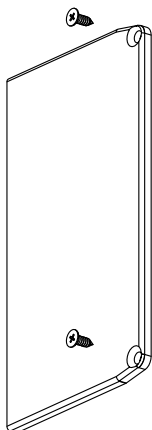
11. x2



12/13. x1

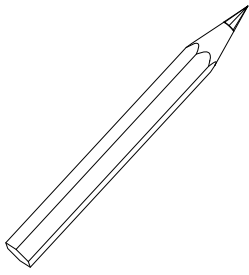


14. x2

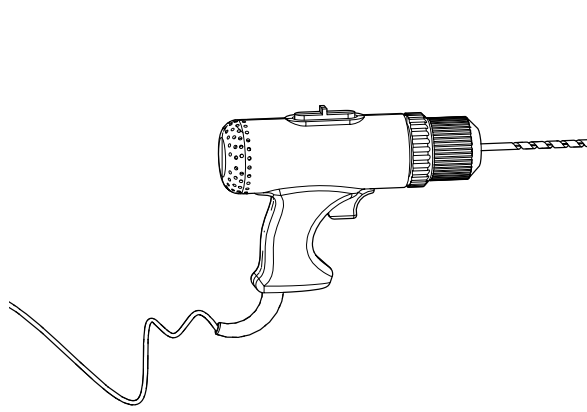


15.

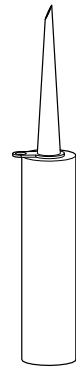
Tools



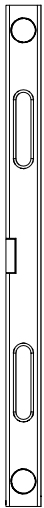
A



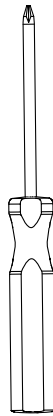
Ø6 mm
B



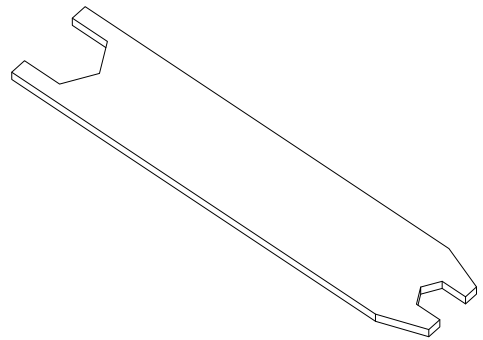
C – Silicone
D – Glue



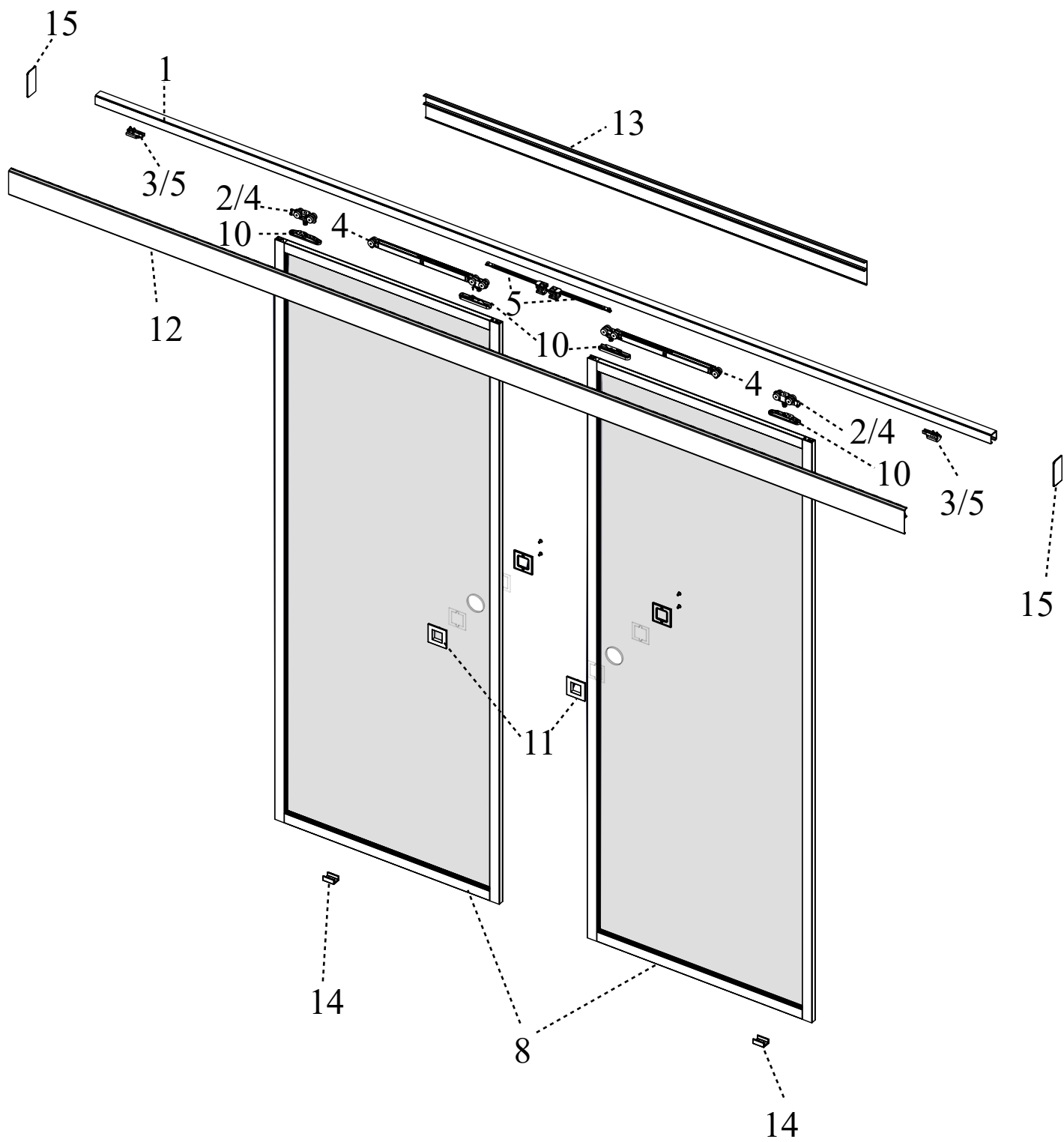
E



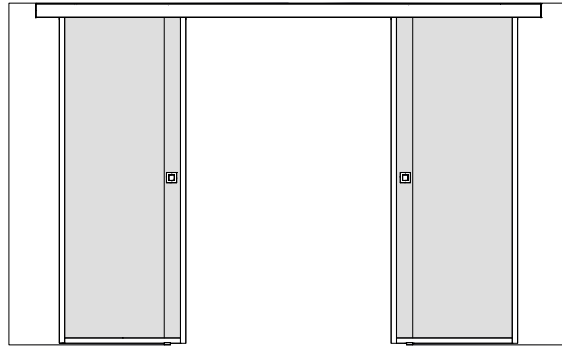
F



G

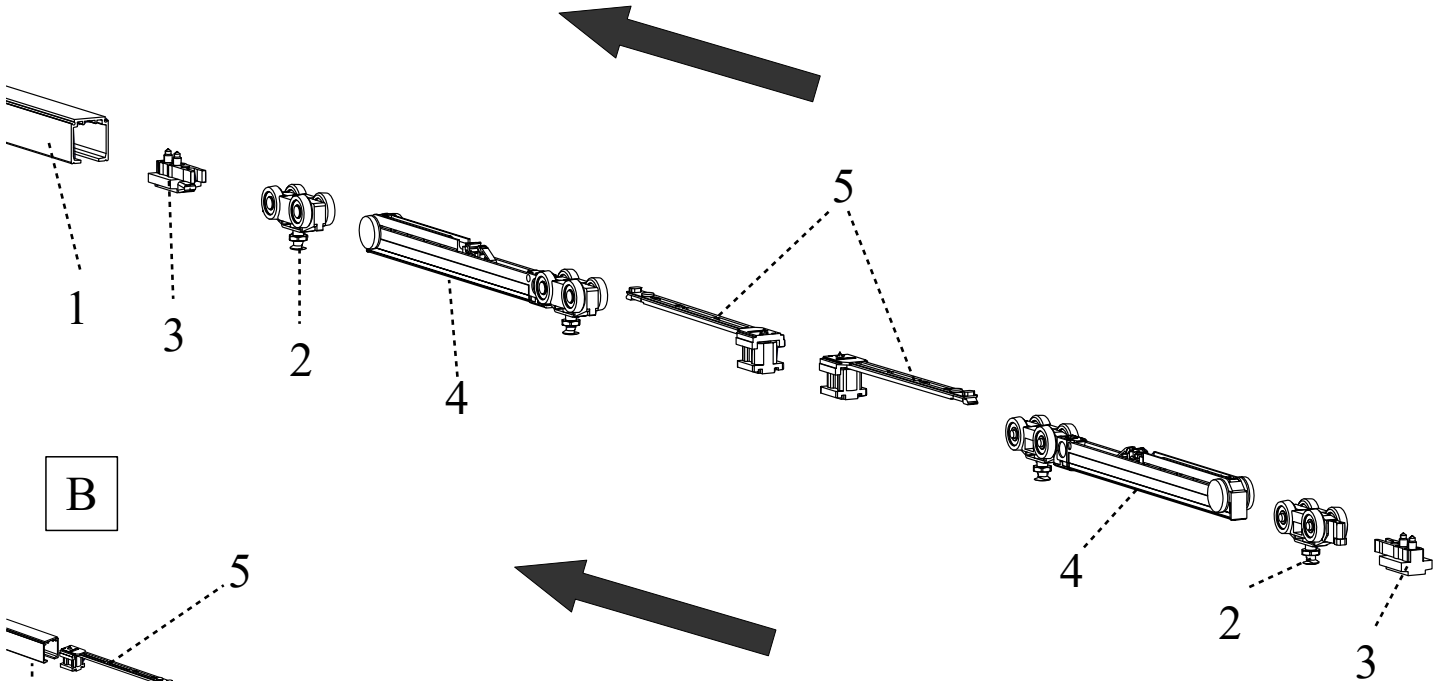


1

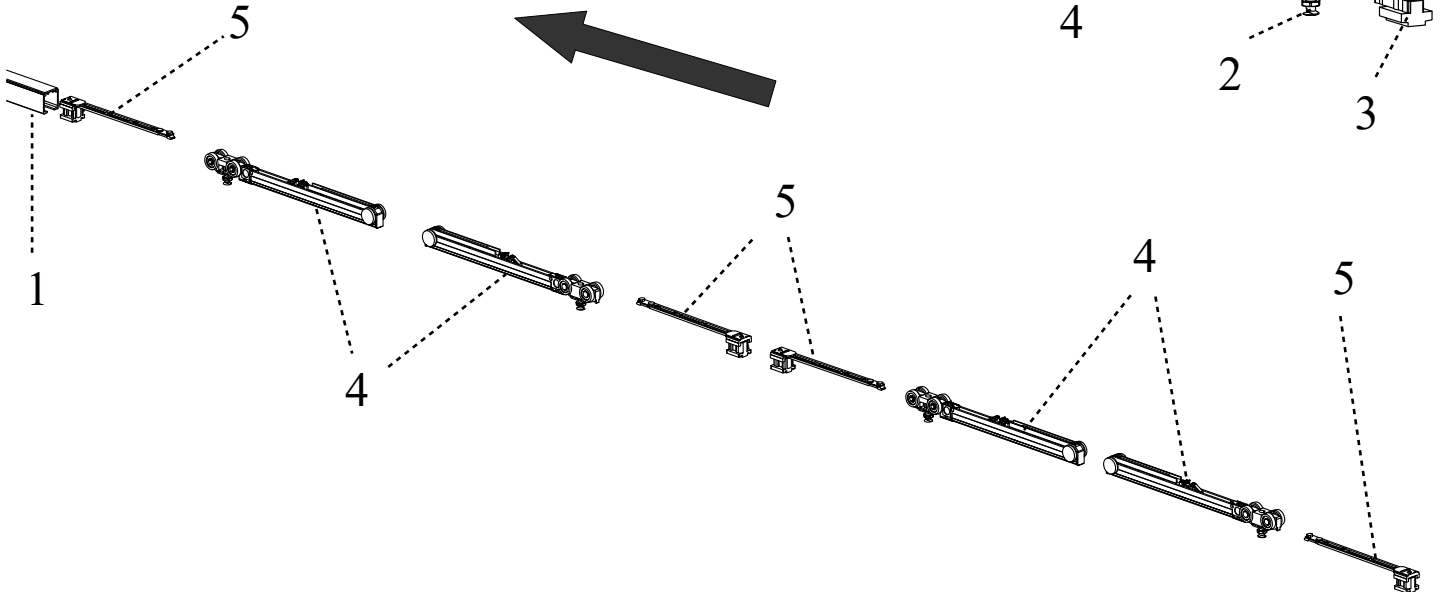


A: 1←3-2-4-5-5-4-2-3
B: 1←5-4-4-5-5-4-4-5

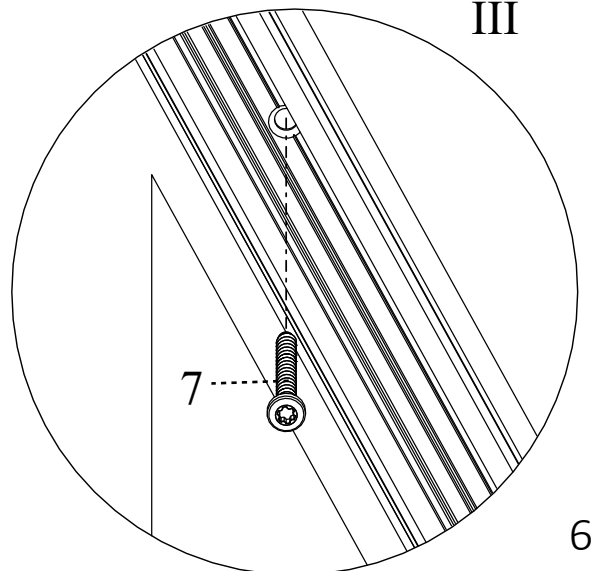
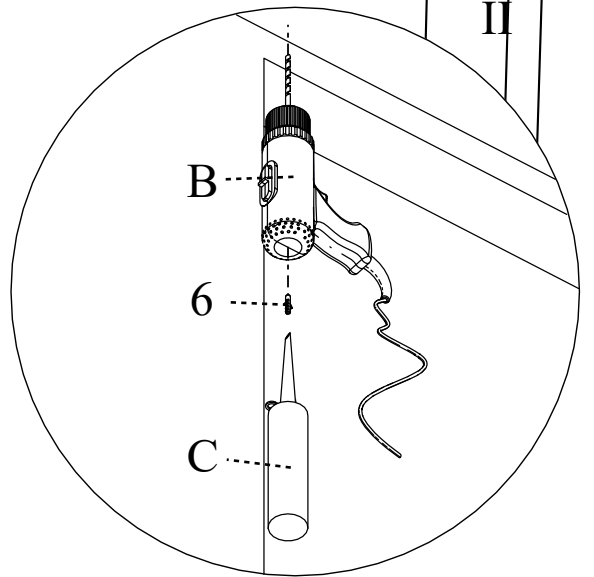
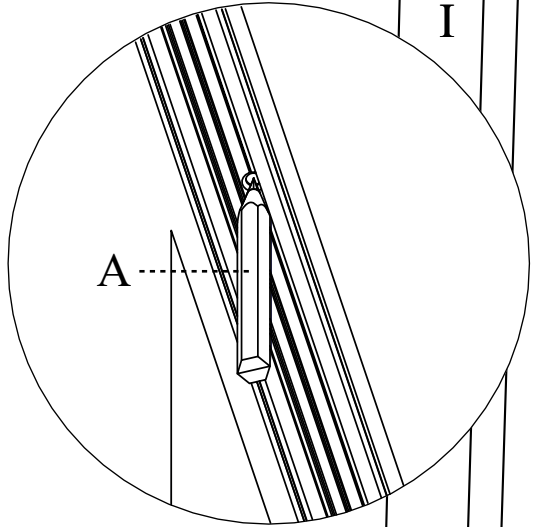
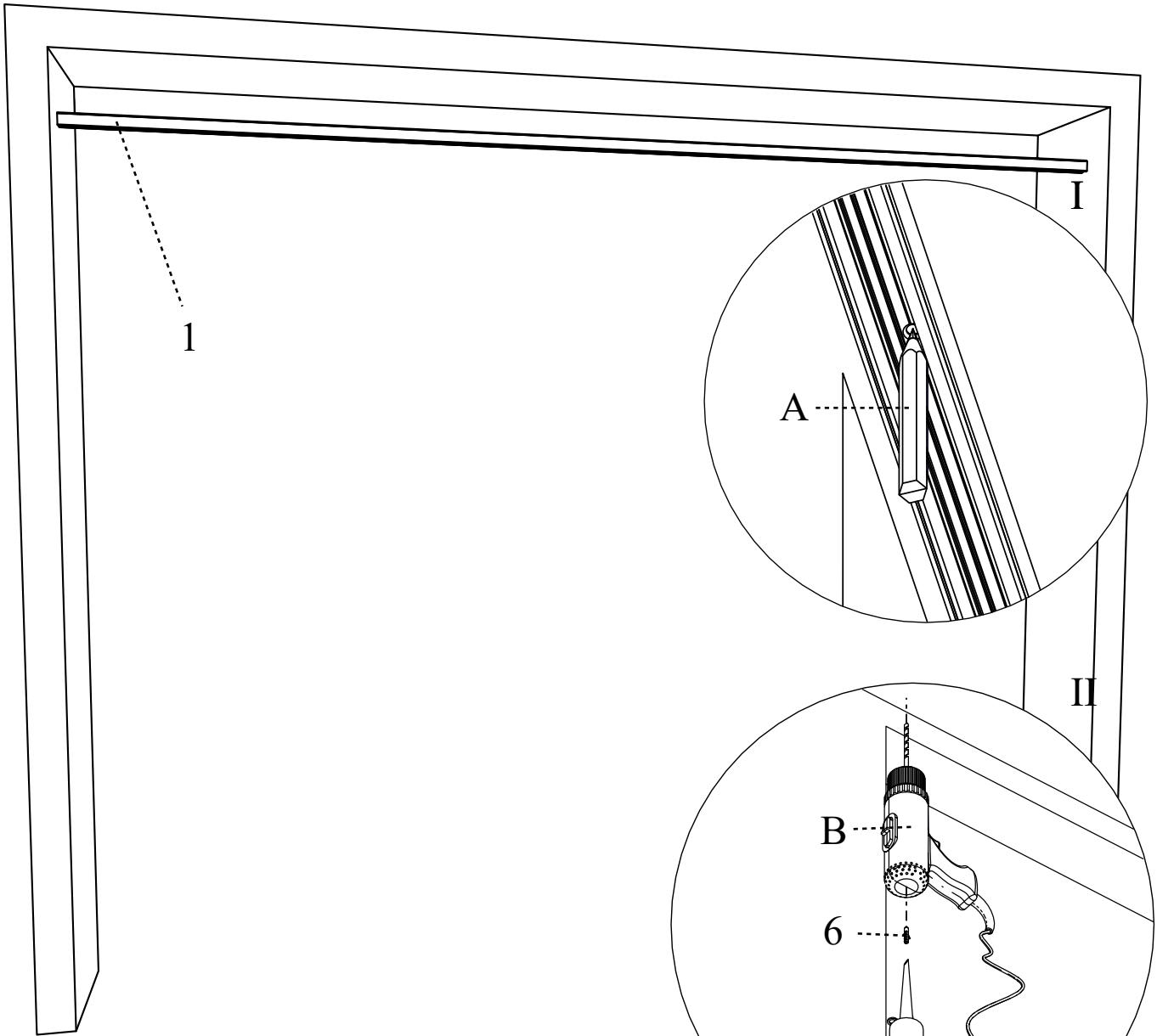
A



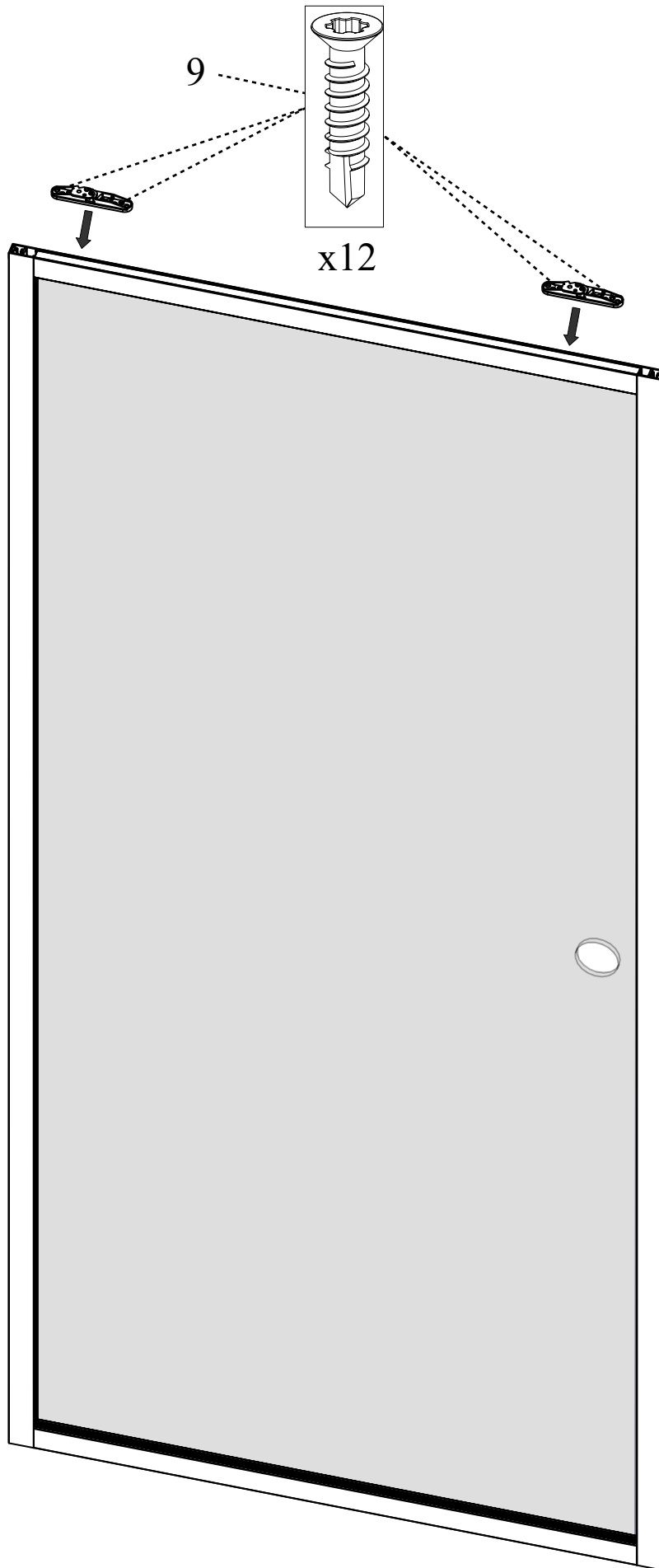
B



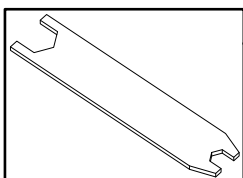
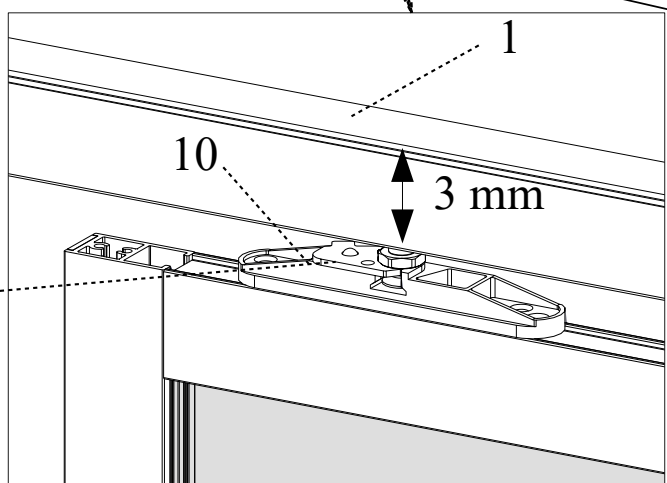
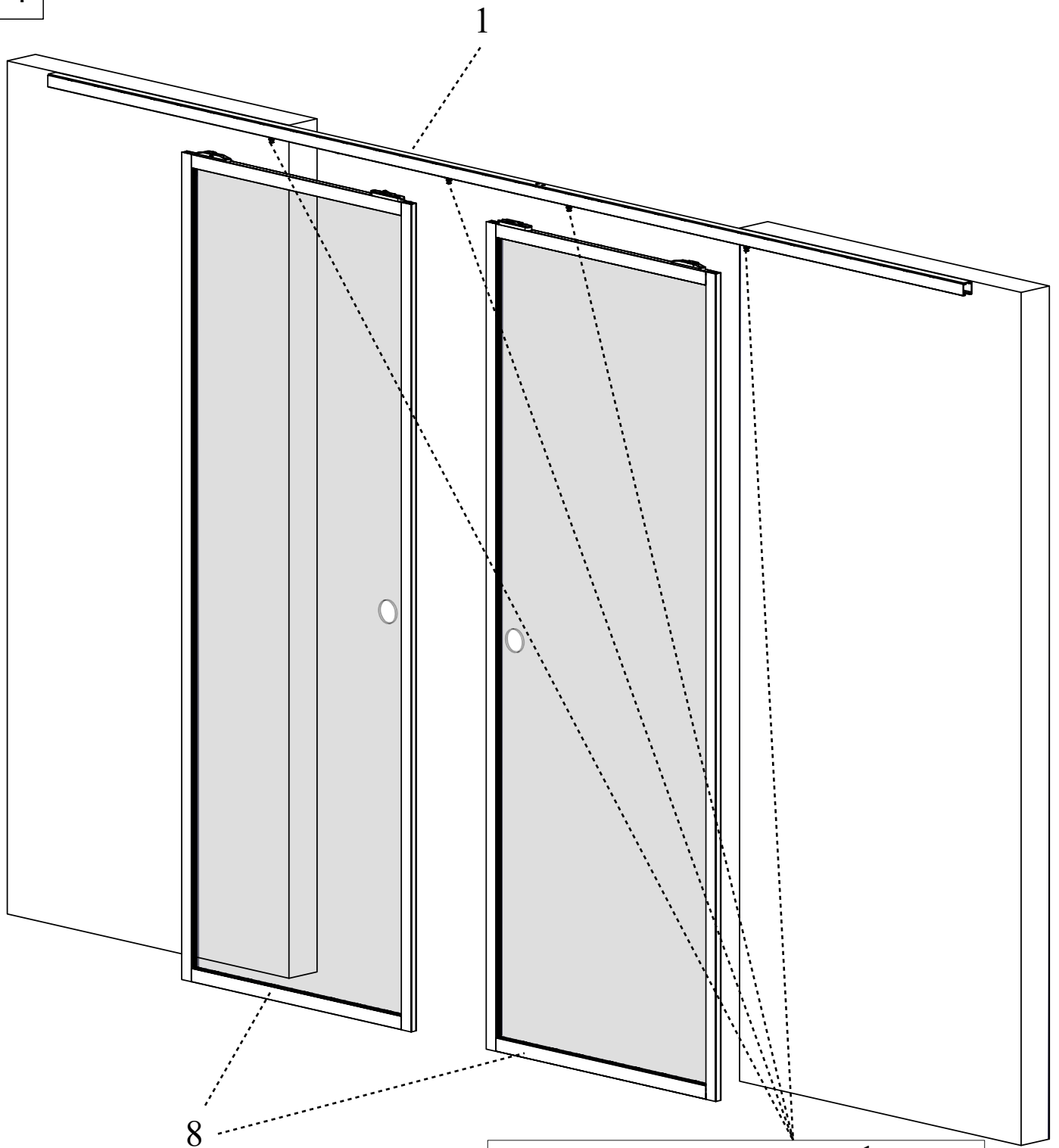
2



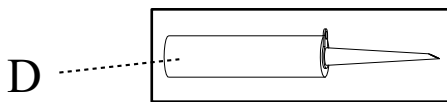
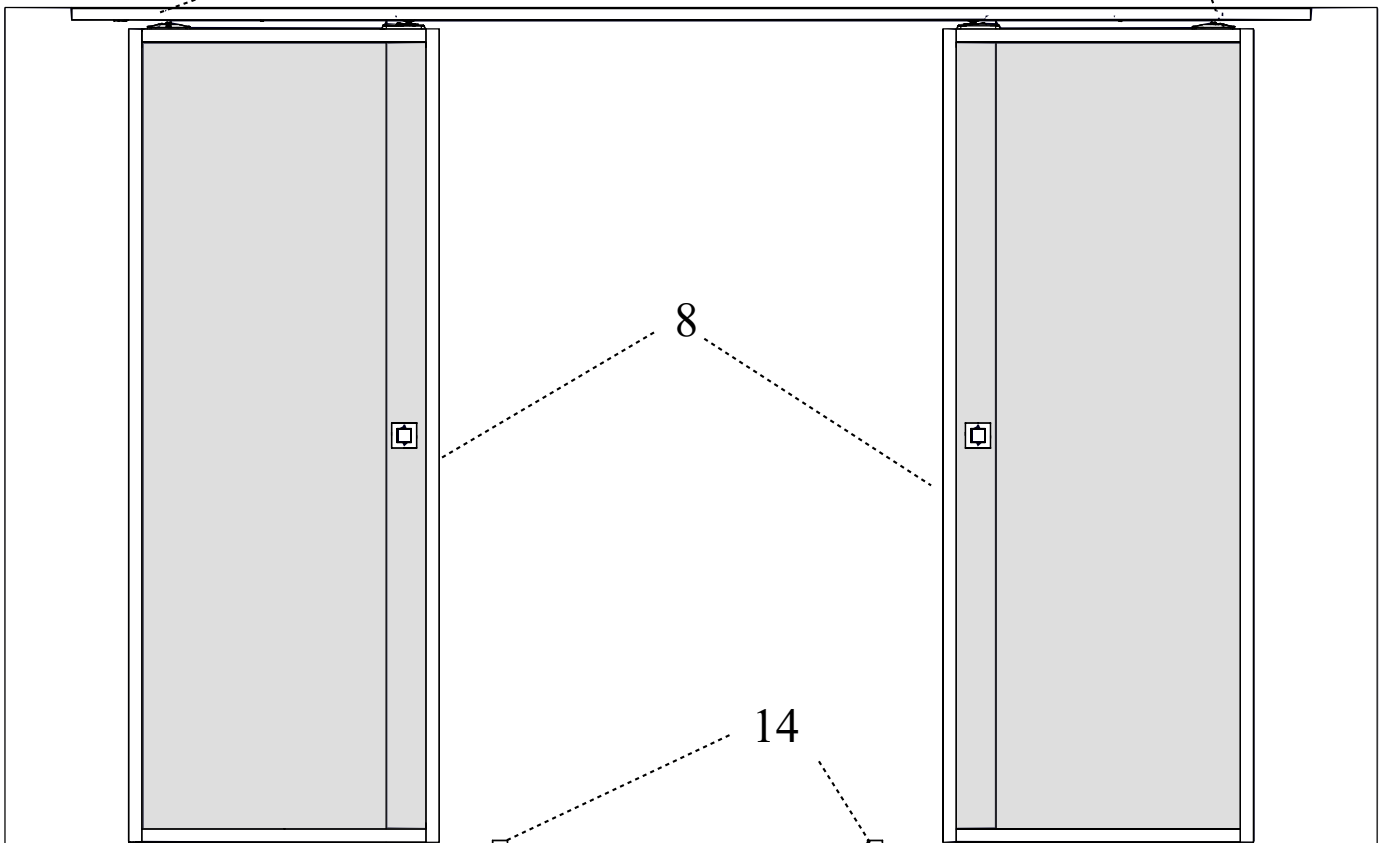
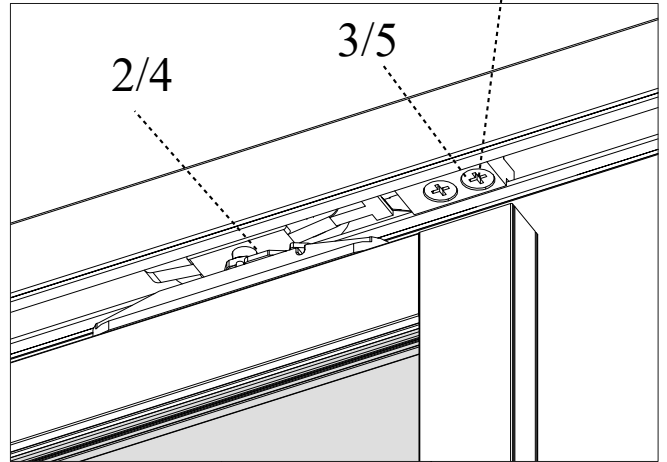
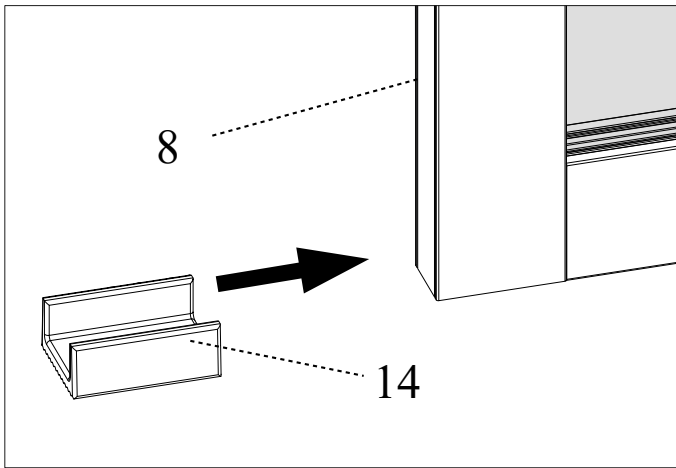
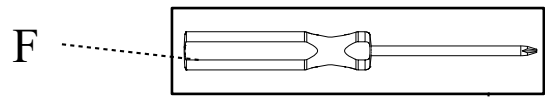
3



4



5



6

