

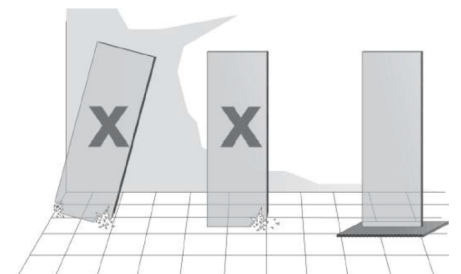


HIETAKARI

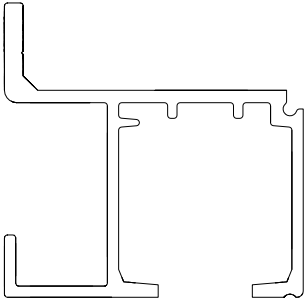


8/25 8QRLM

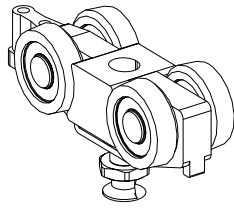
W1N/W1T/W1P



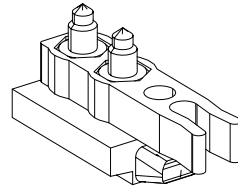
# Parts



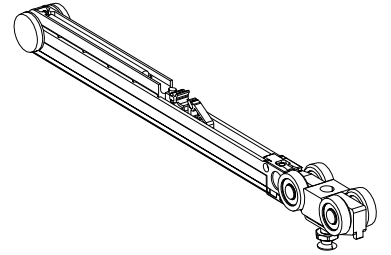
1. x1



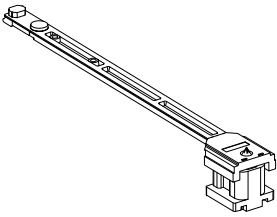
2. A x1  
B x0



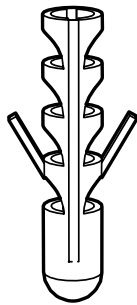
3. A x1  
B x0



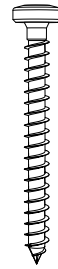
4. A x1  
B x2



5. A x1  
B x2



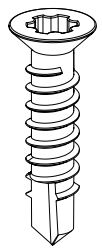
6. 6x30 mm



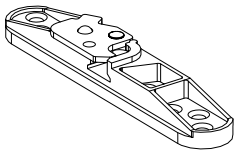
7. 3.5x39 mm



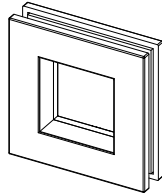
8. x1



9. 4.2x19 mm



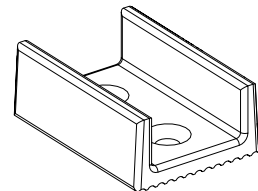
10. x2



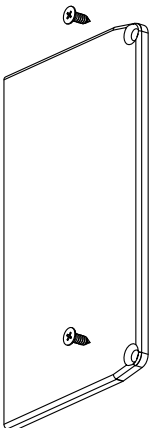
11. x1



12. x1

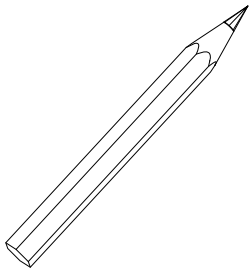


13. x1

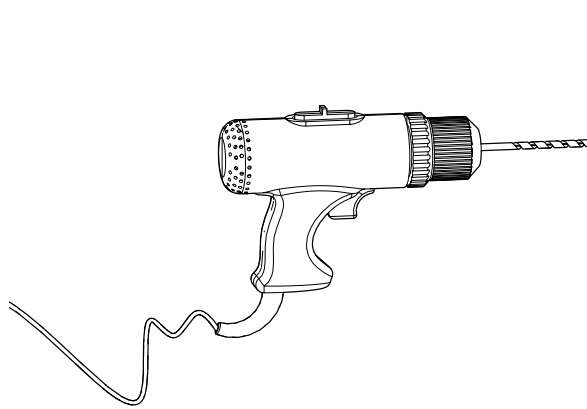


14.

# Tools



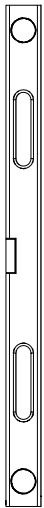
A



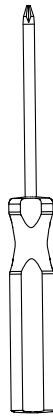
Ø6 mm  
B



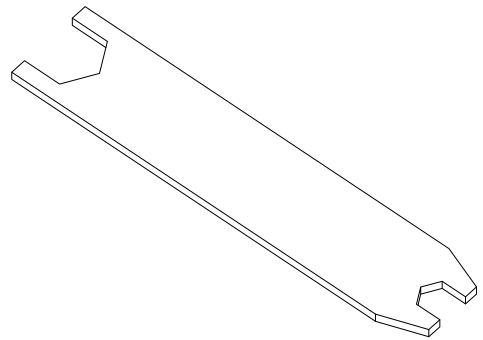
C – Silicone  
D – Glue



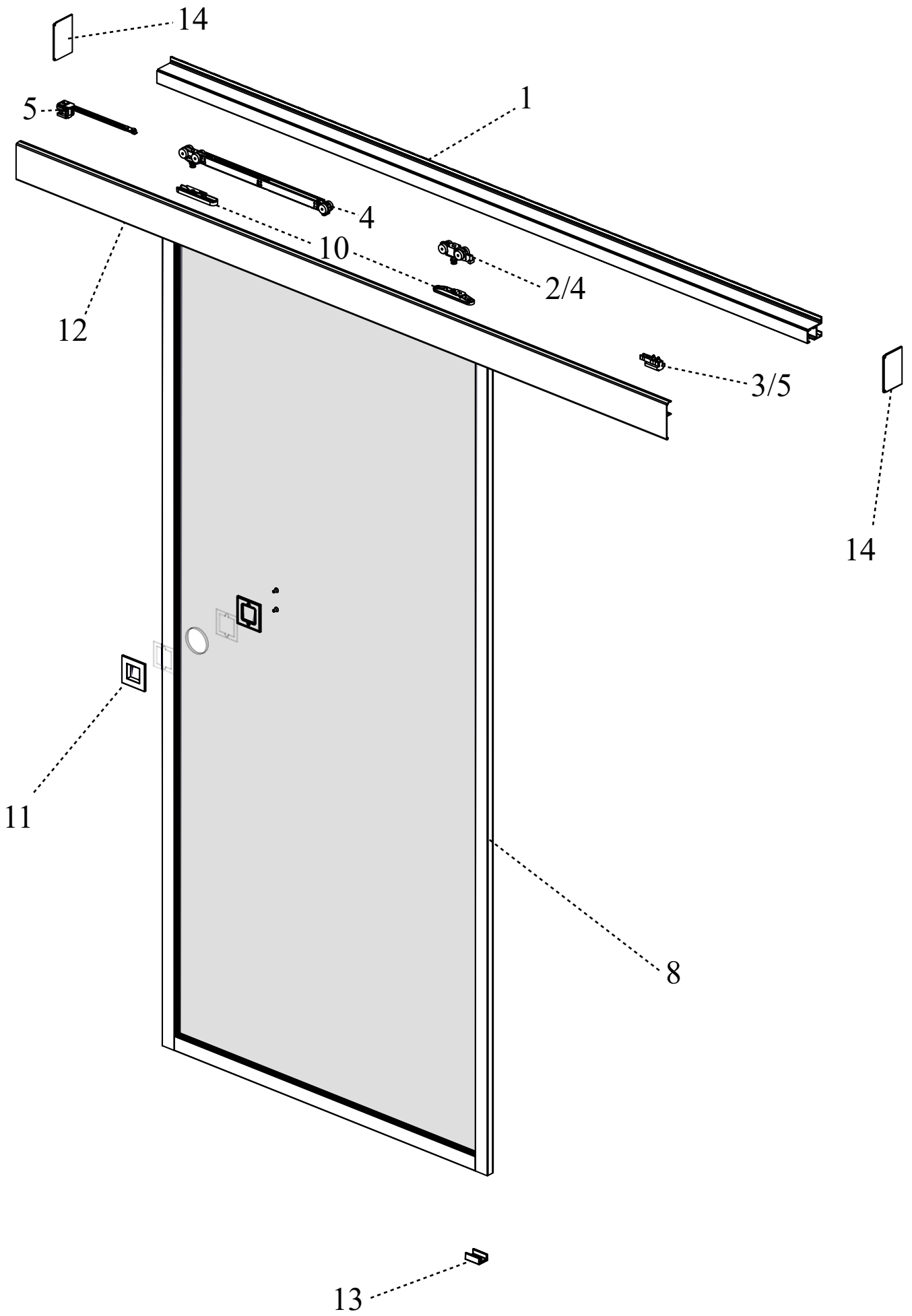
E



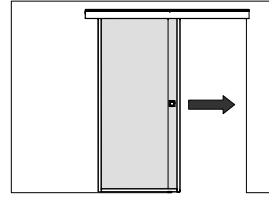
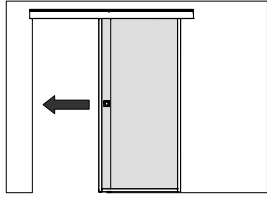
F



G



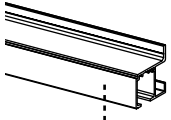
1



A: 1←5-4-2-3  
B: 1←5-4-4-5

A: 1←3-2-4-5  
B: 1←5-4-4-5

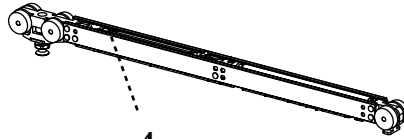
A



1



5



4

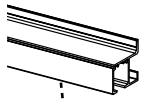


2



3

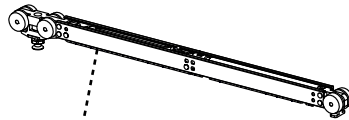
B



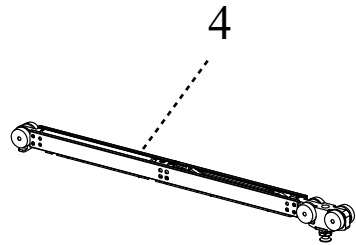
1



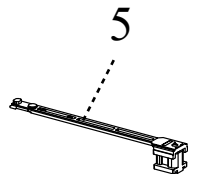
5



4

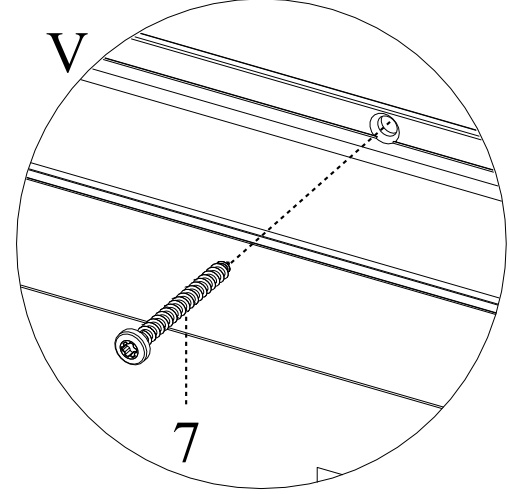
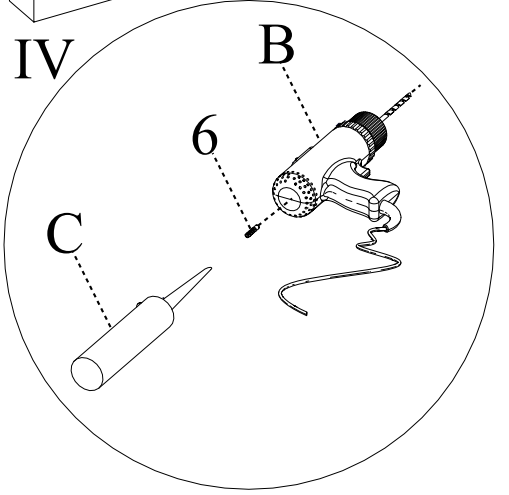
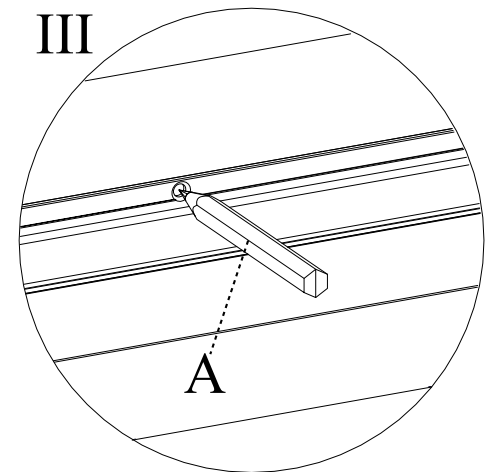
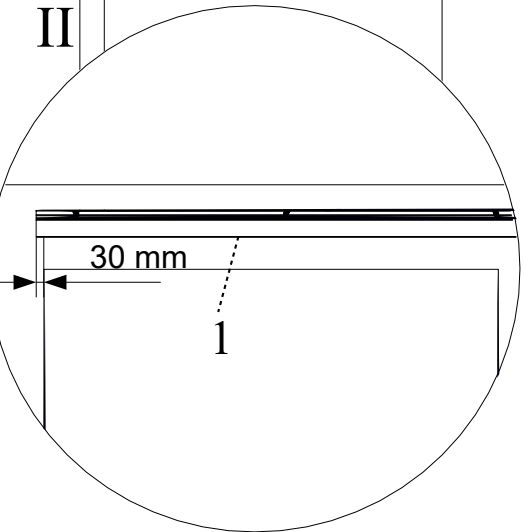
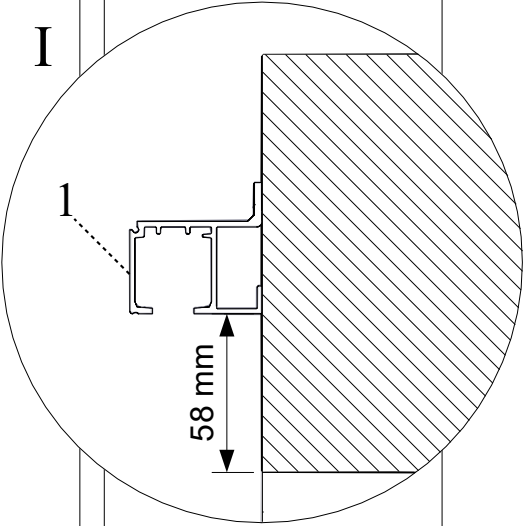
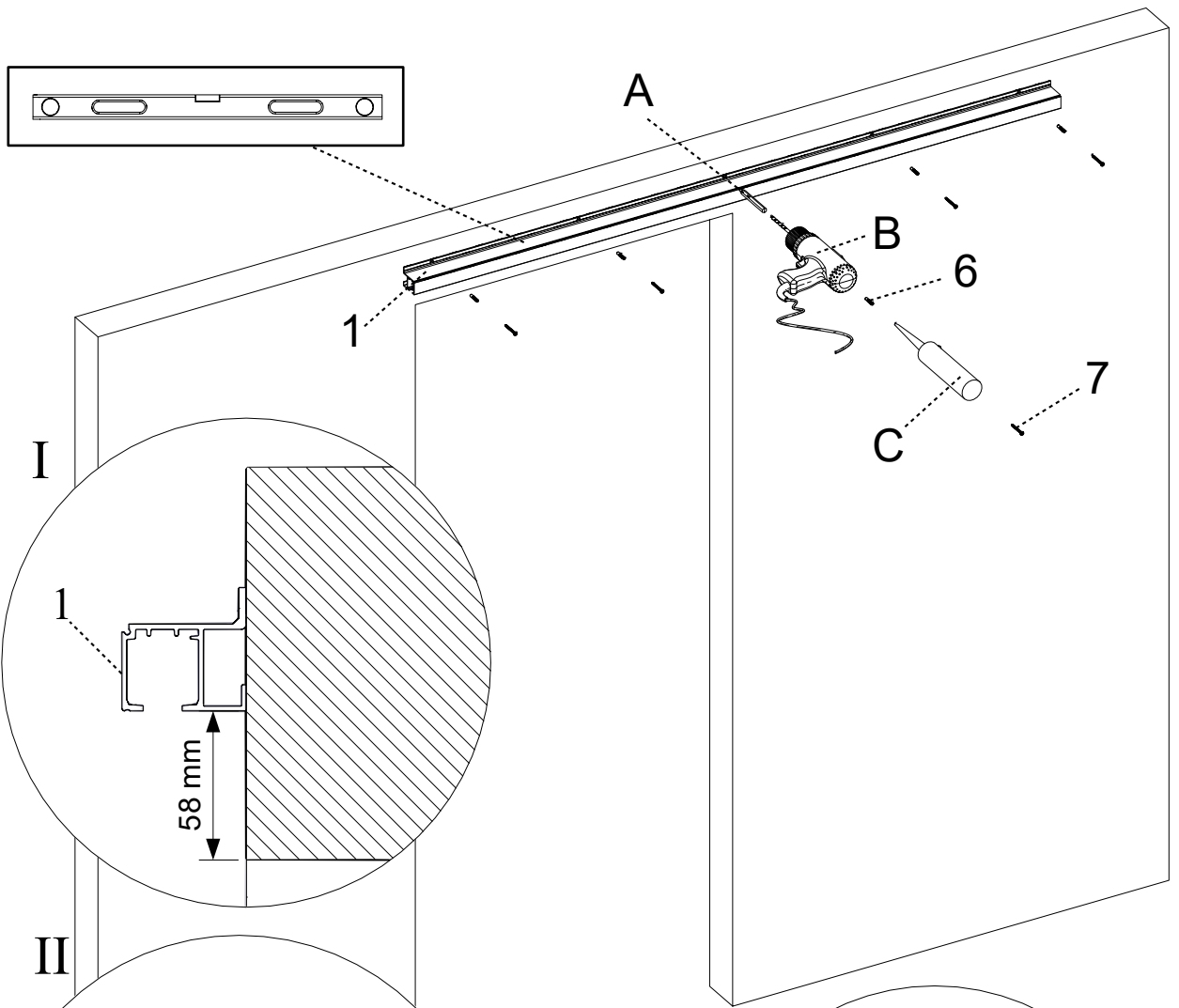


4

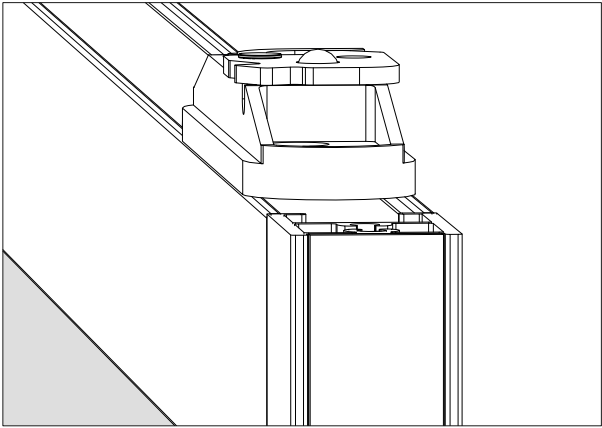
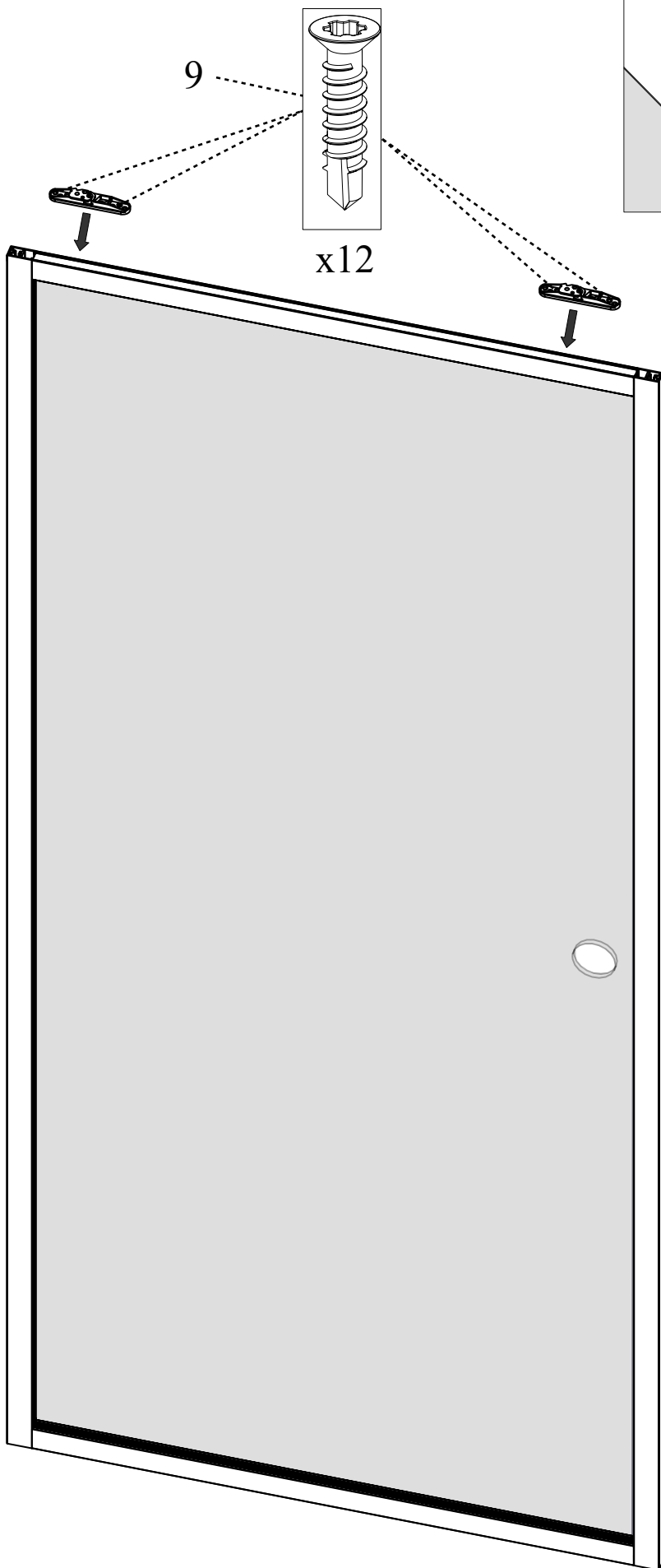


5

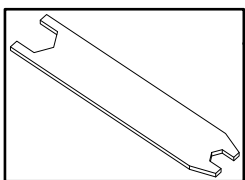
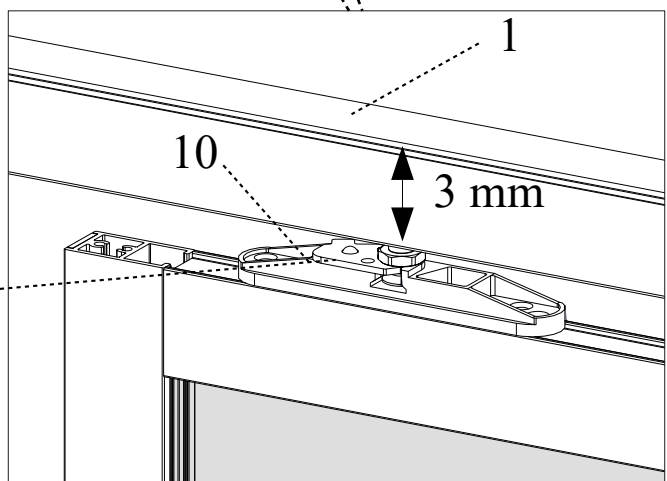
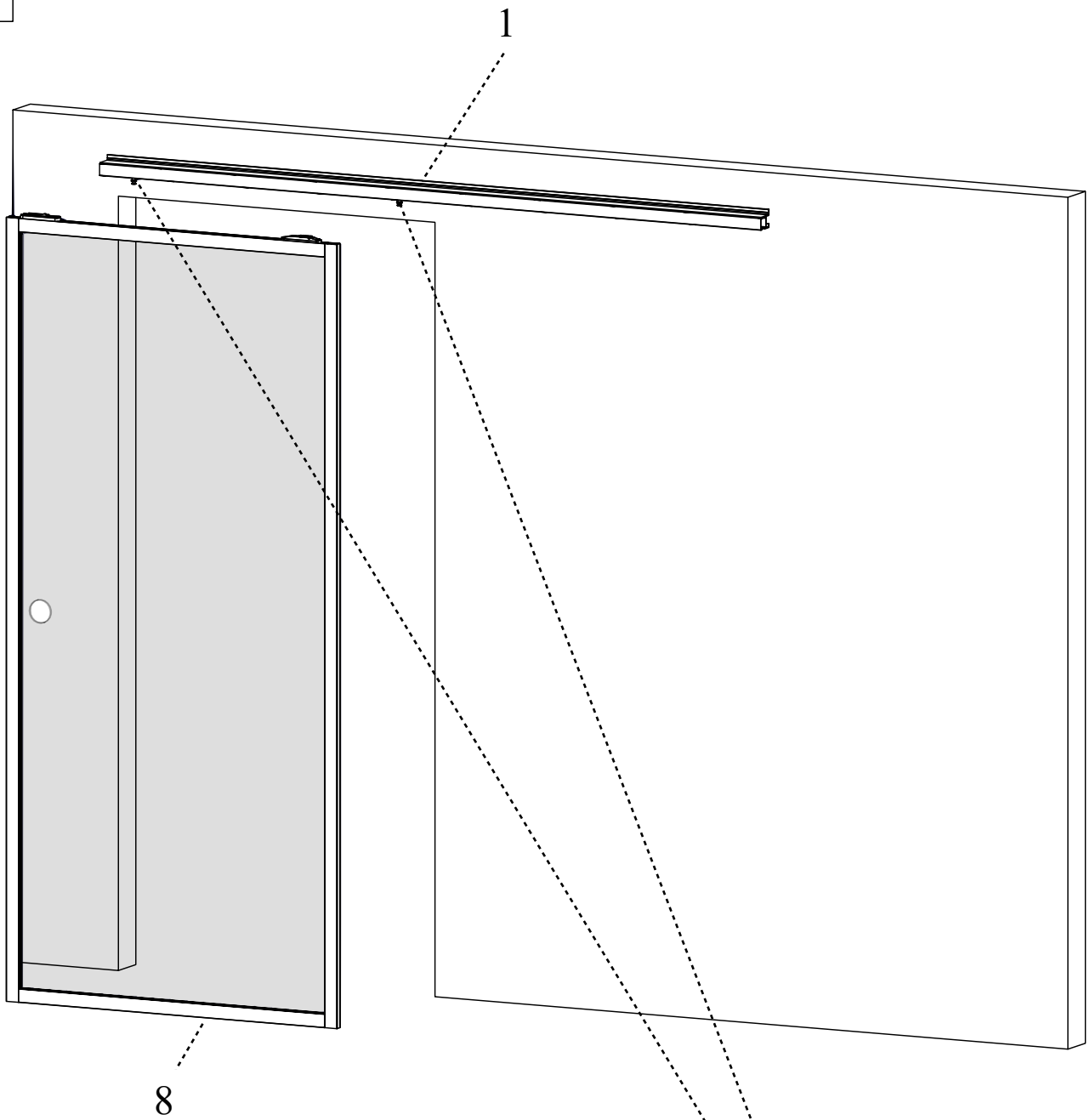
2



3

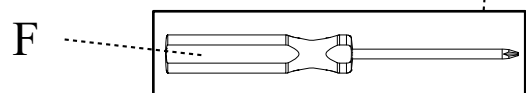
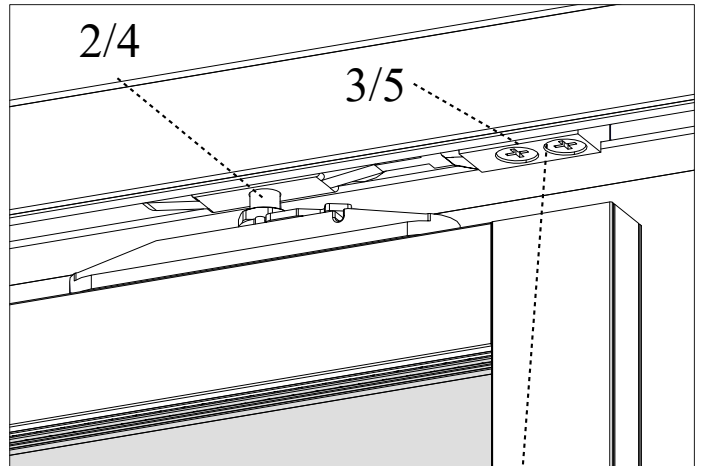
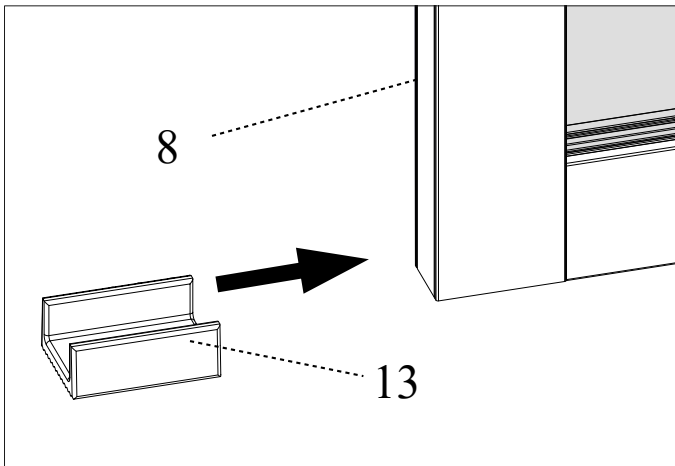
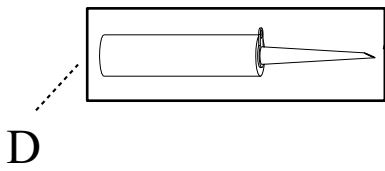
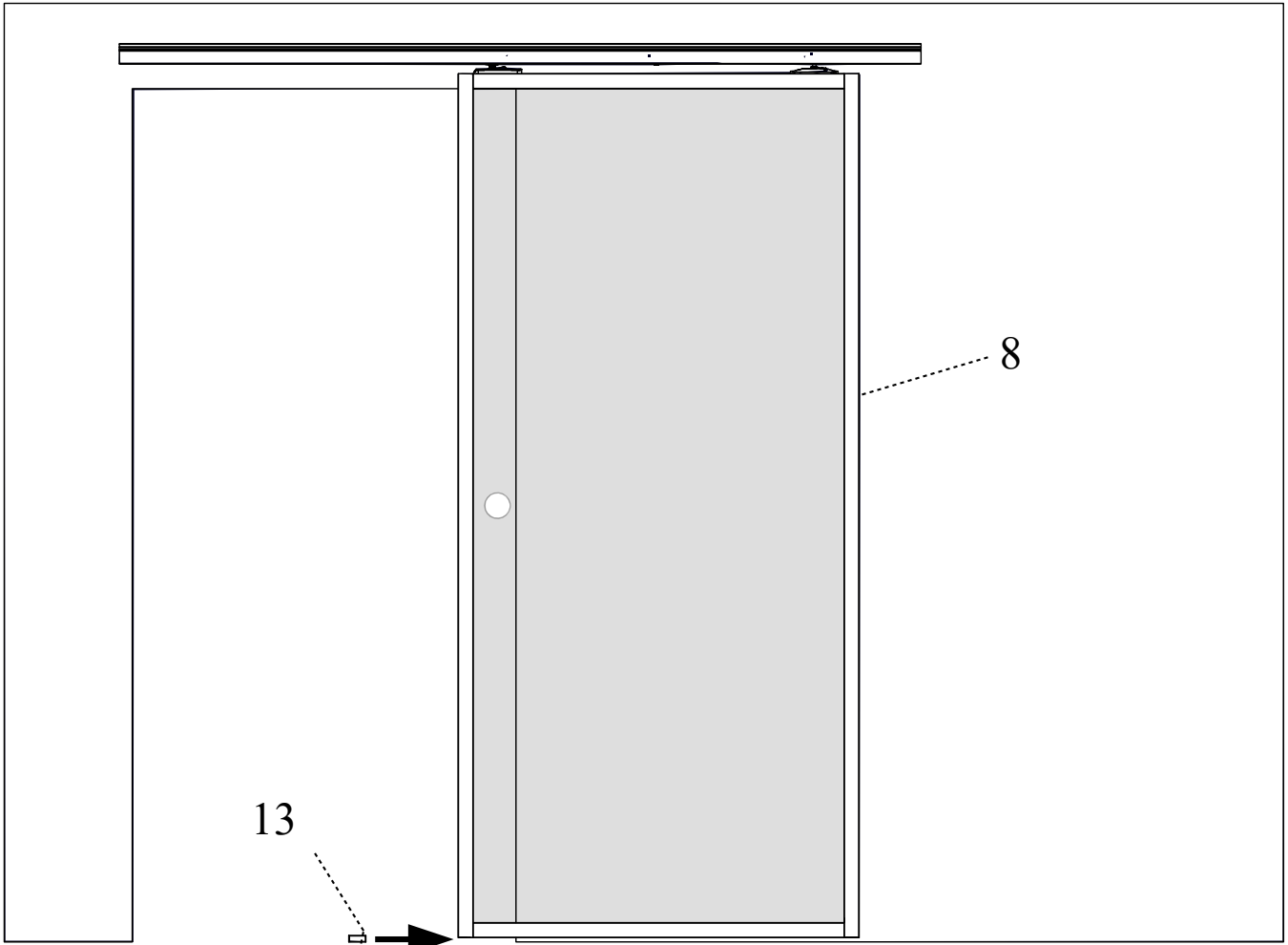


4

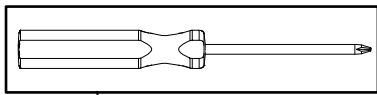
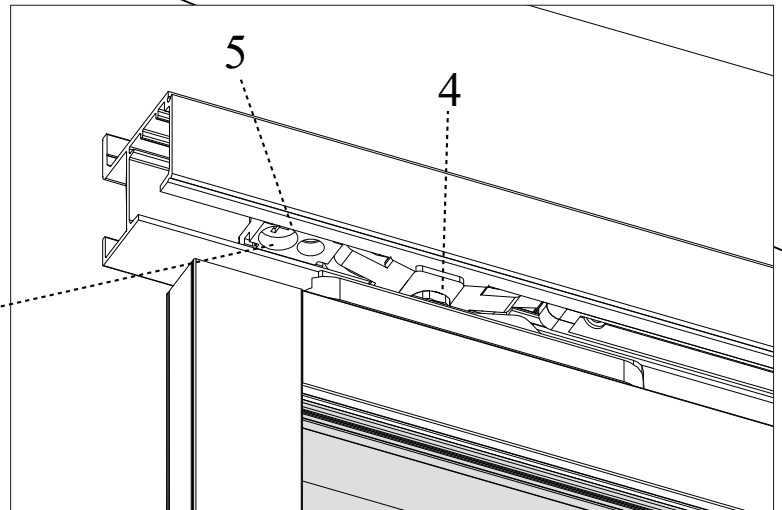
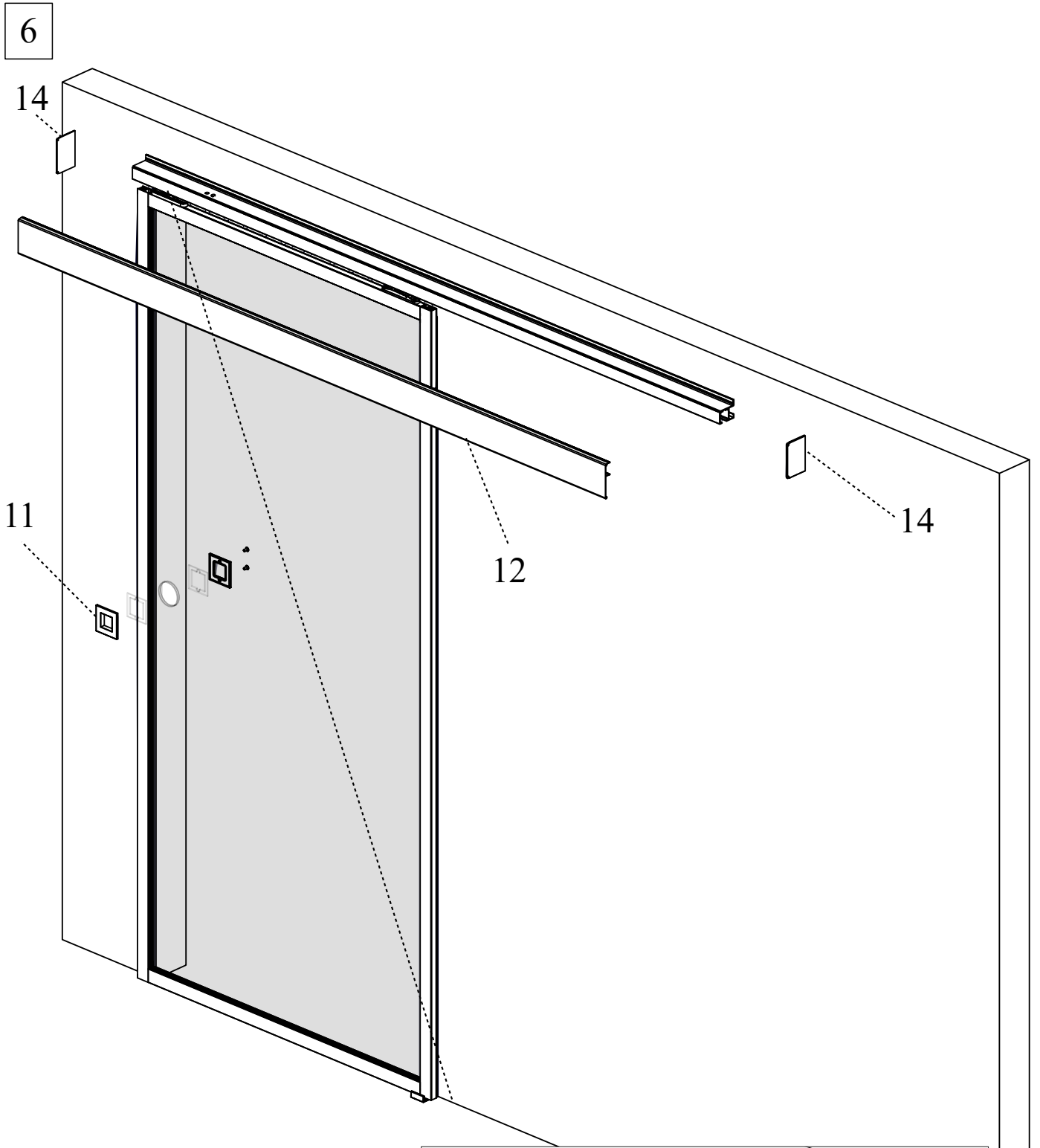




5



9



F