

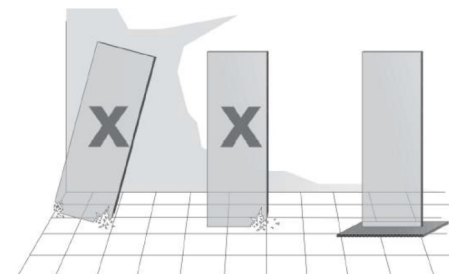
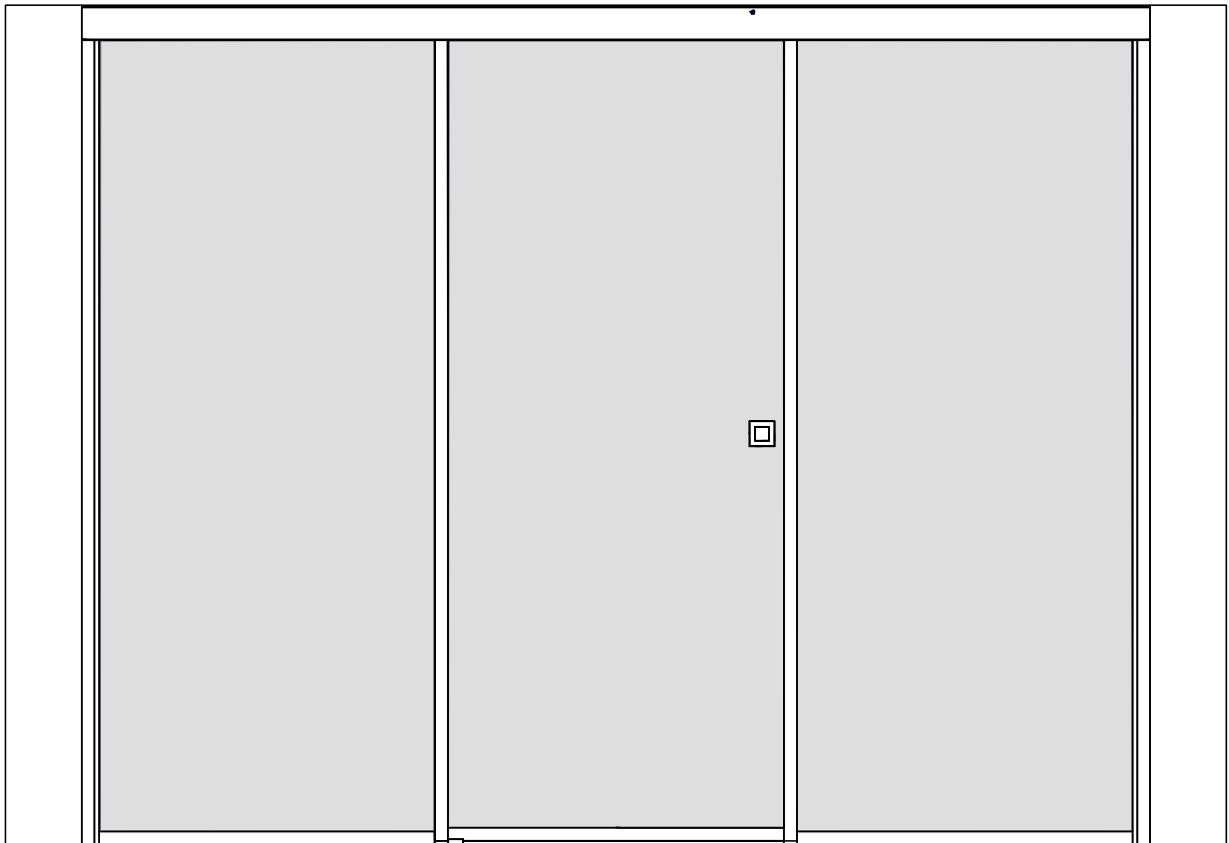


HIETAKARI

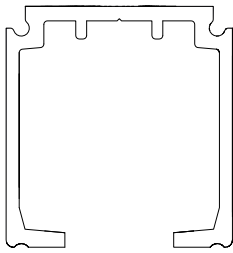


8/25 8LRLM

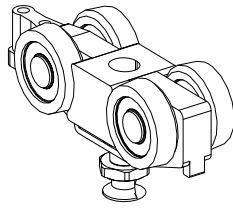
C3N/C3P/C3T



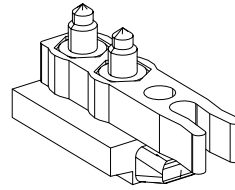
Parts



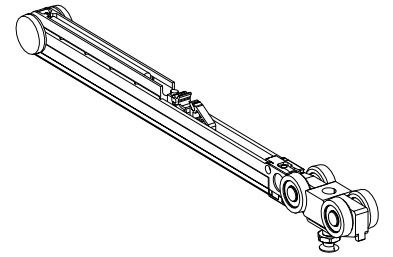
1. x1



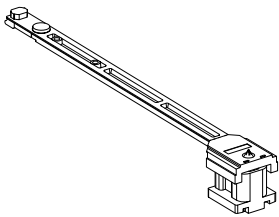
2. A x1
B x0



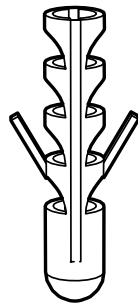
3. A x1
B x0



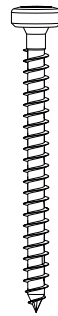
4. A x1
B x2



5. A x1
B x2



6. 6x30 mm

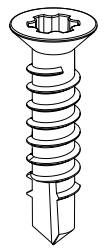


4/83 31RLM

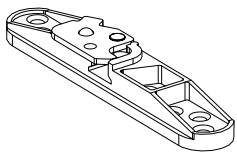
7. 4.5x44 mm



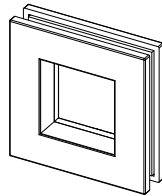
8. x1



9. 4.2x19 mm



10. x2



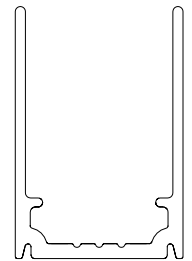
11. x1



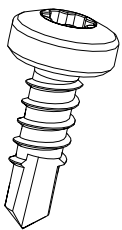
12. x2



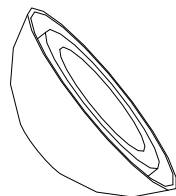
13/14. x1



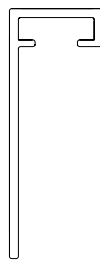
15. x1



16. 4.2x13 mm



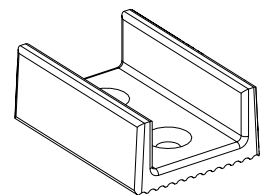
17.



18. x1

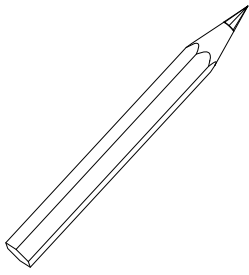


19. x1

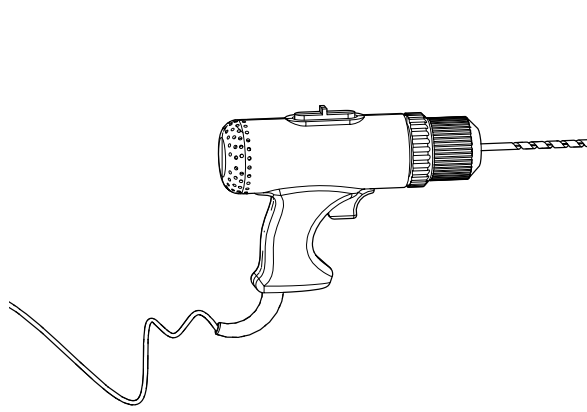


20. x1

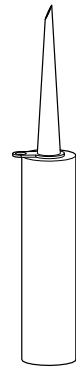
Tools



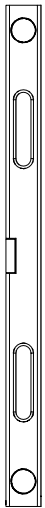
A



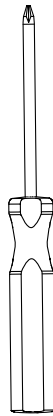
Ø6 mm
B



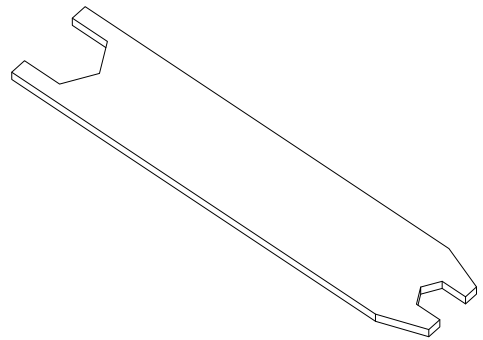
C – Silicone
D – Glue



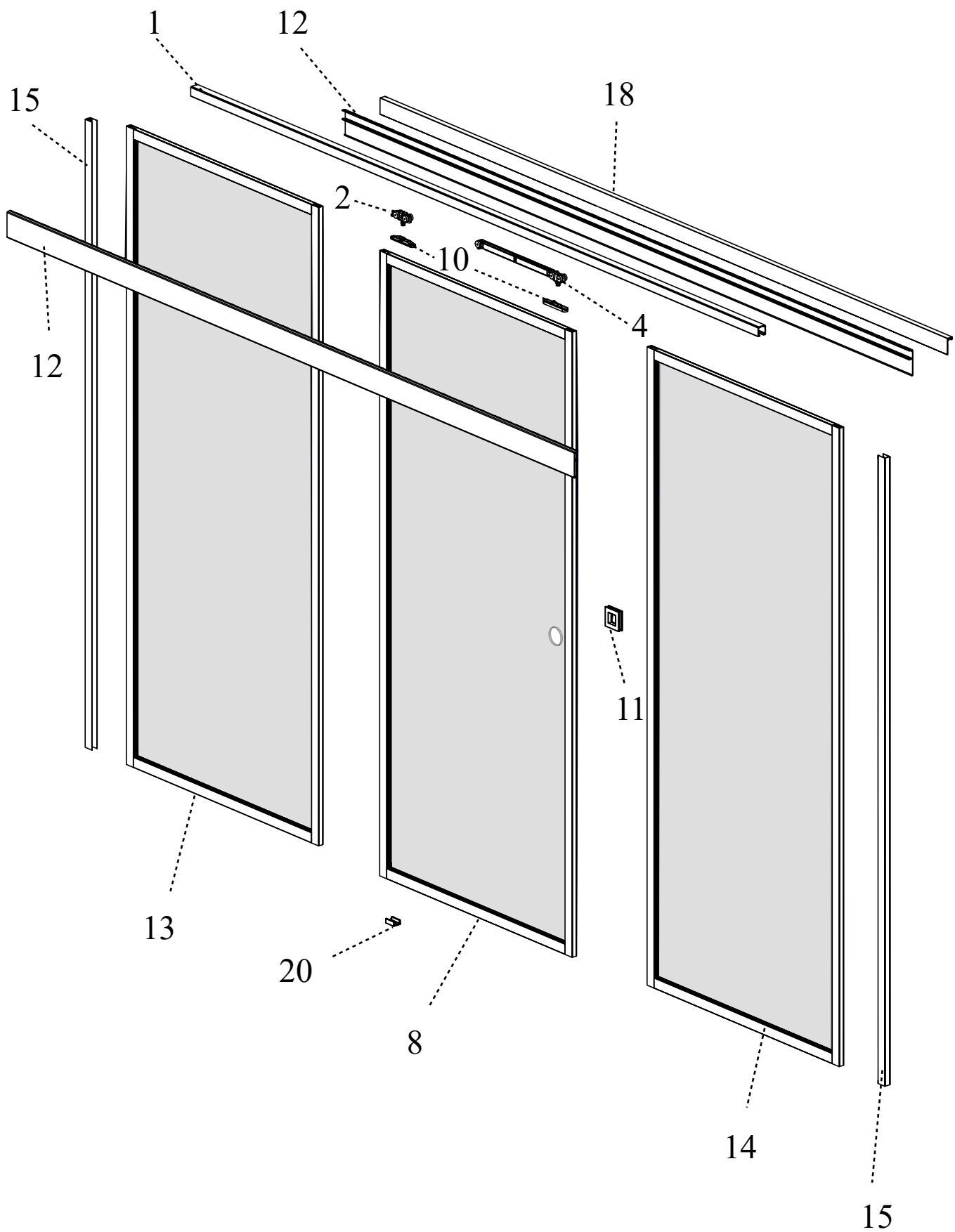
E



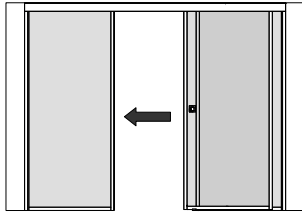
F



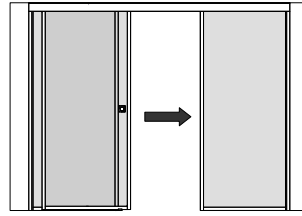
G



1

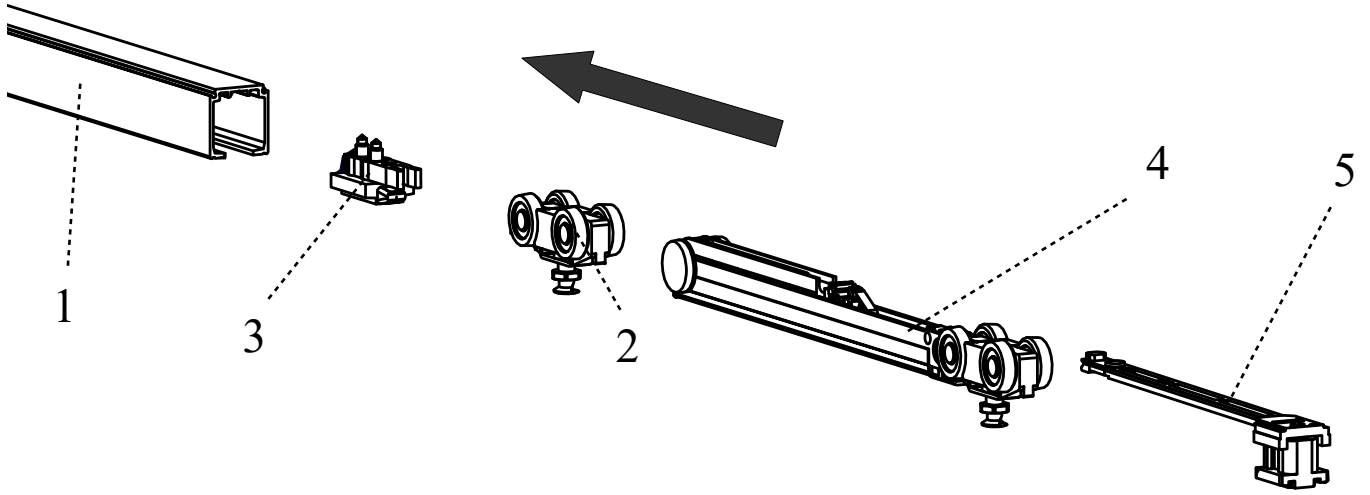


A: 1←5-4-2-3
B: 1←5-4-4-5

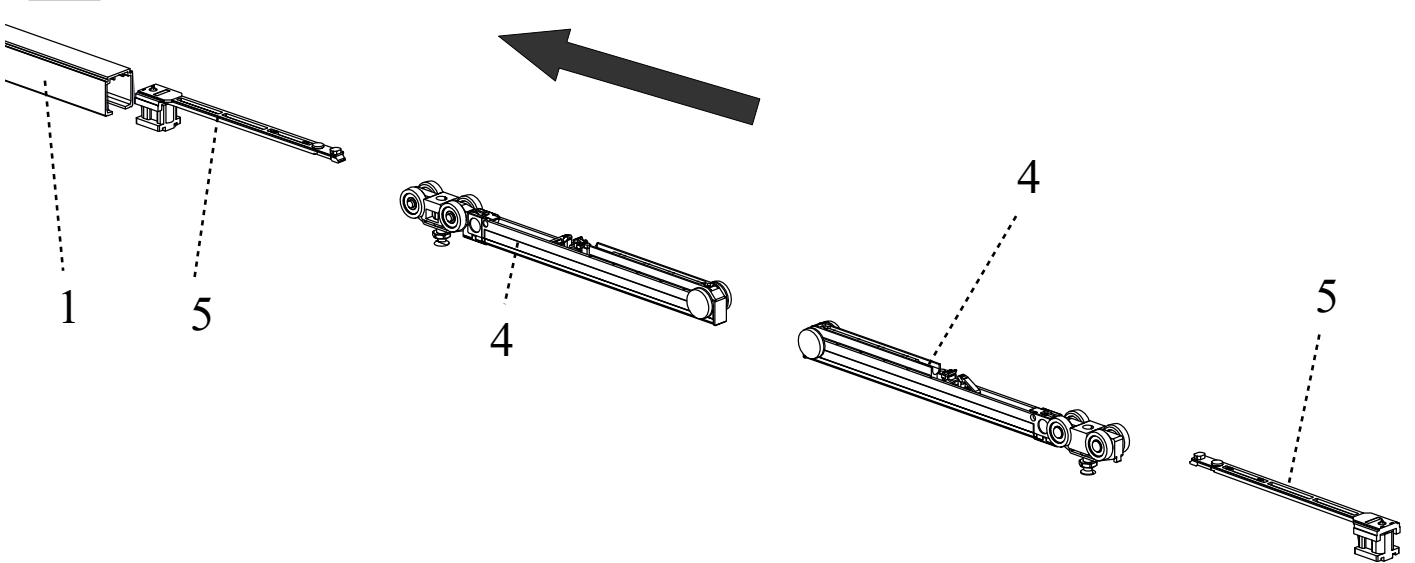


A: 1←3-2-4-5
B: 1←5-4-4-5

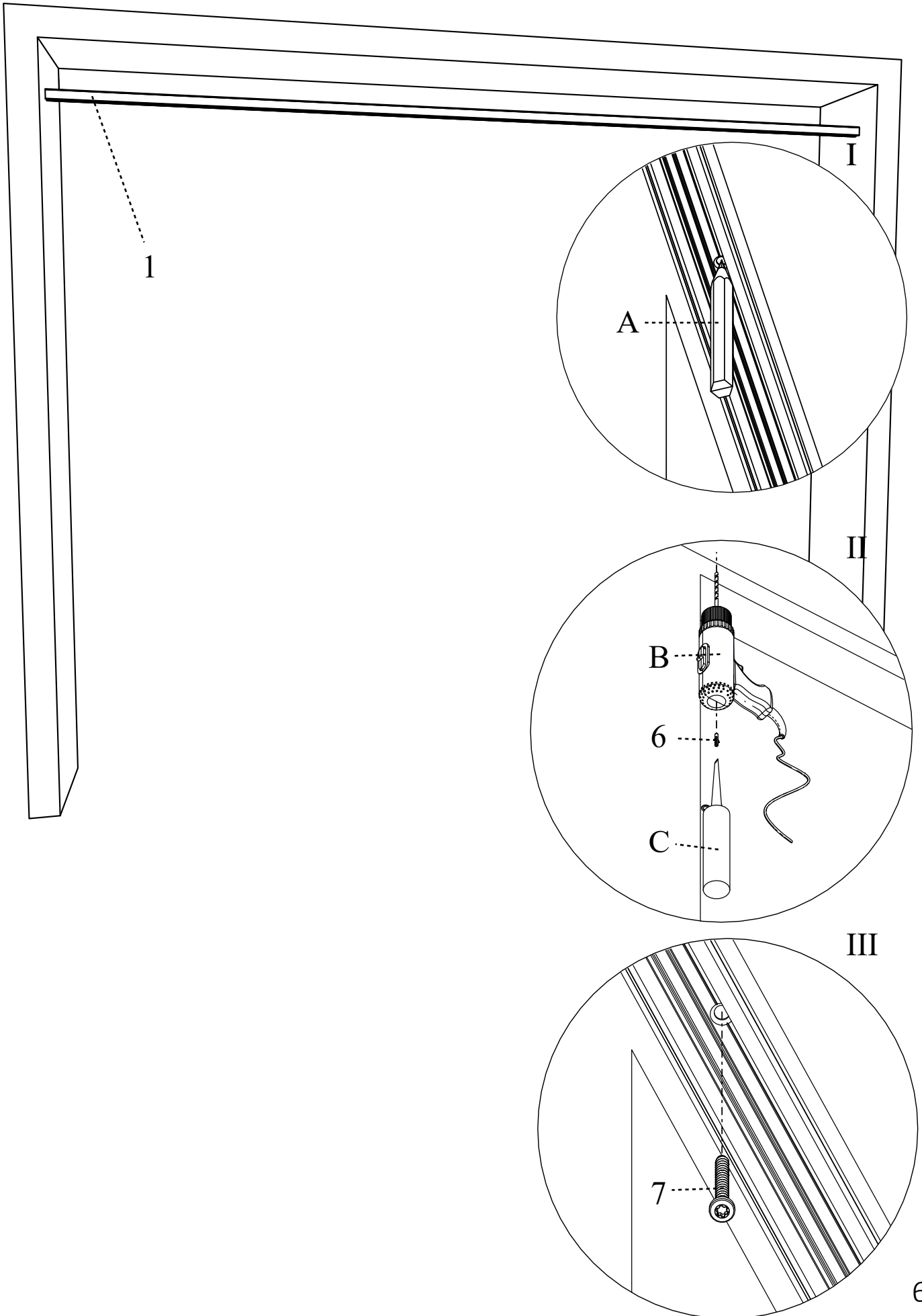
A



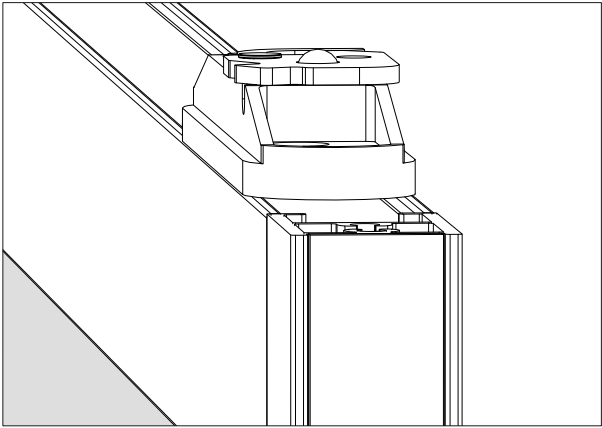
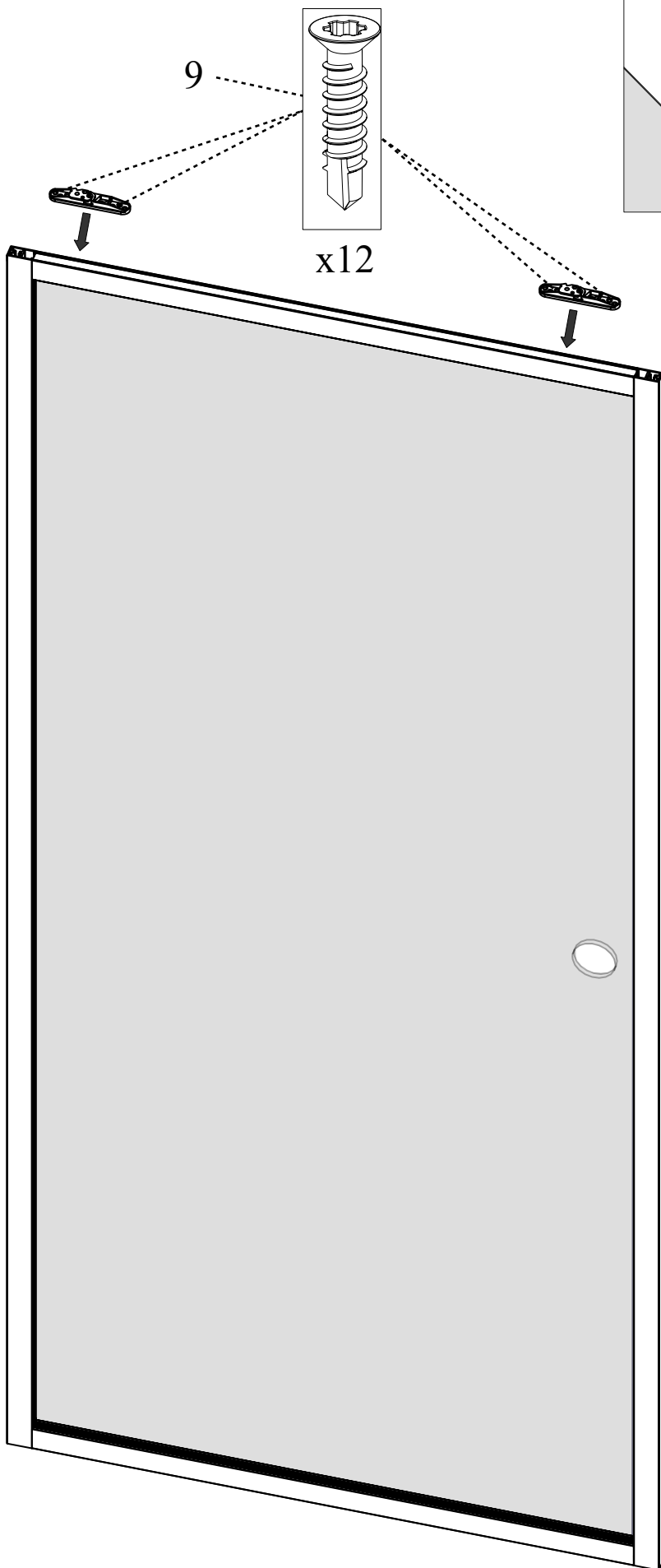
B



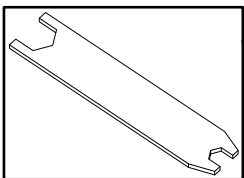
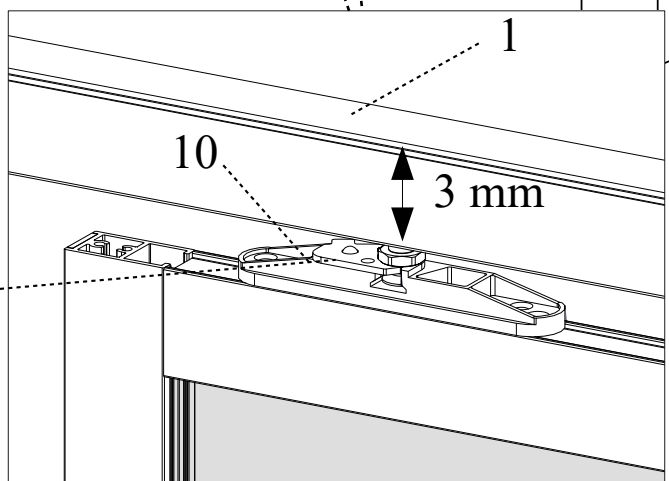
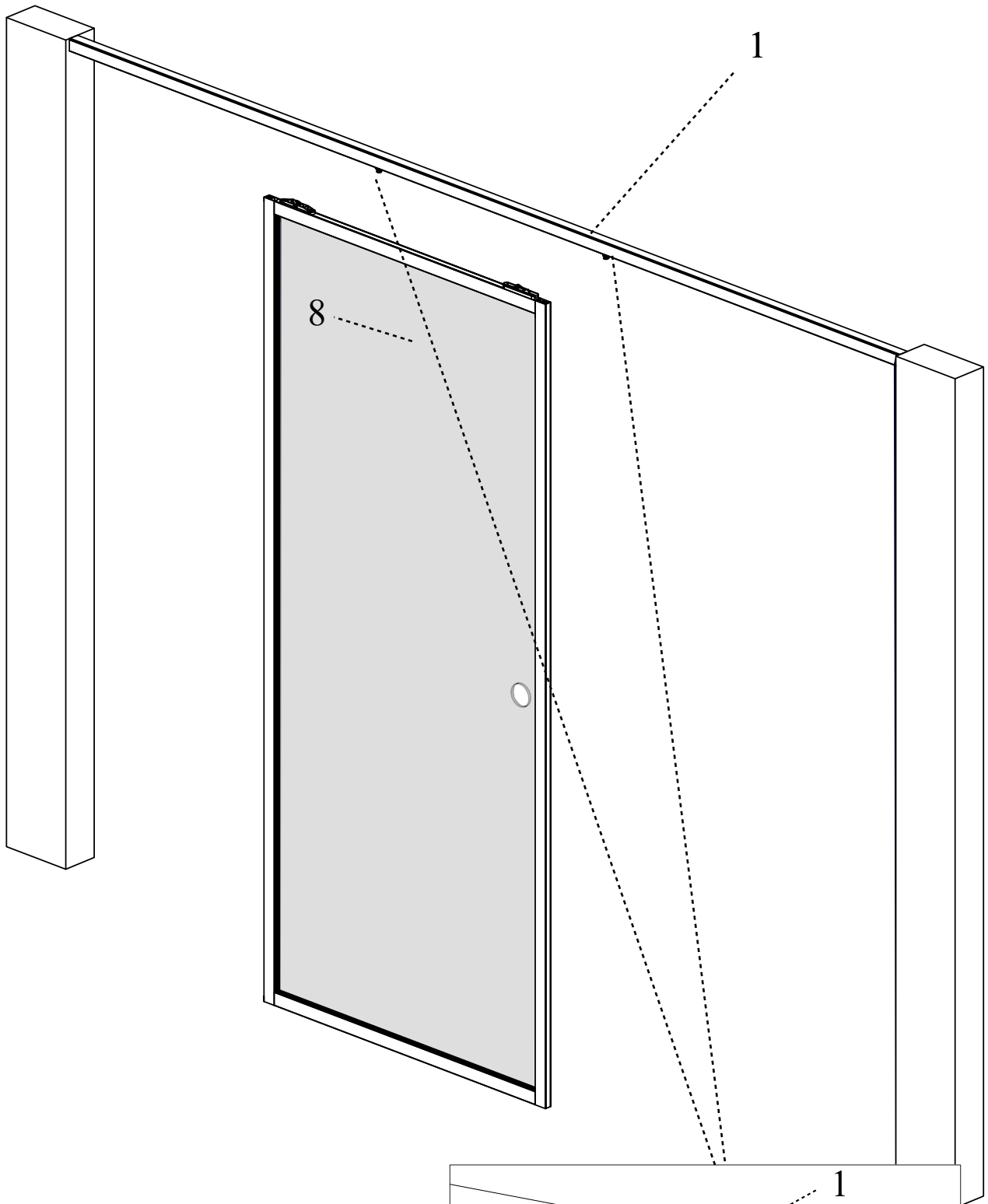
2



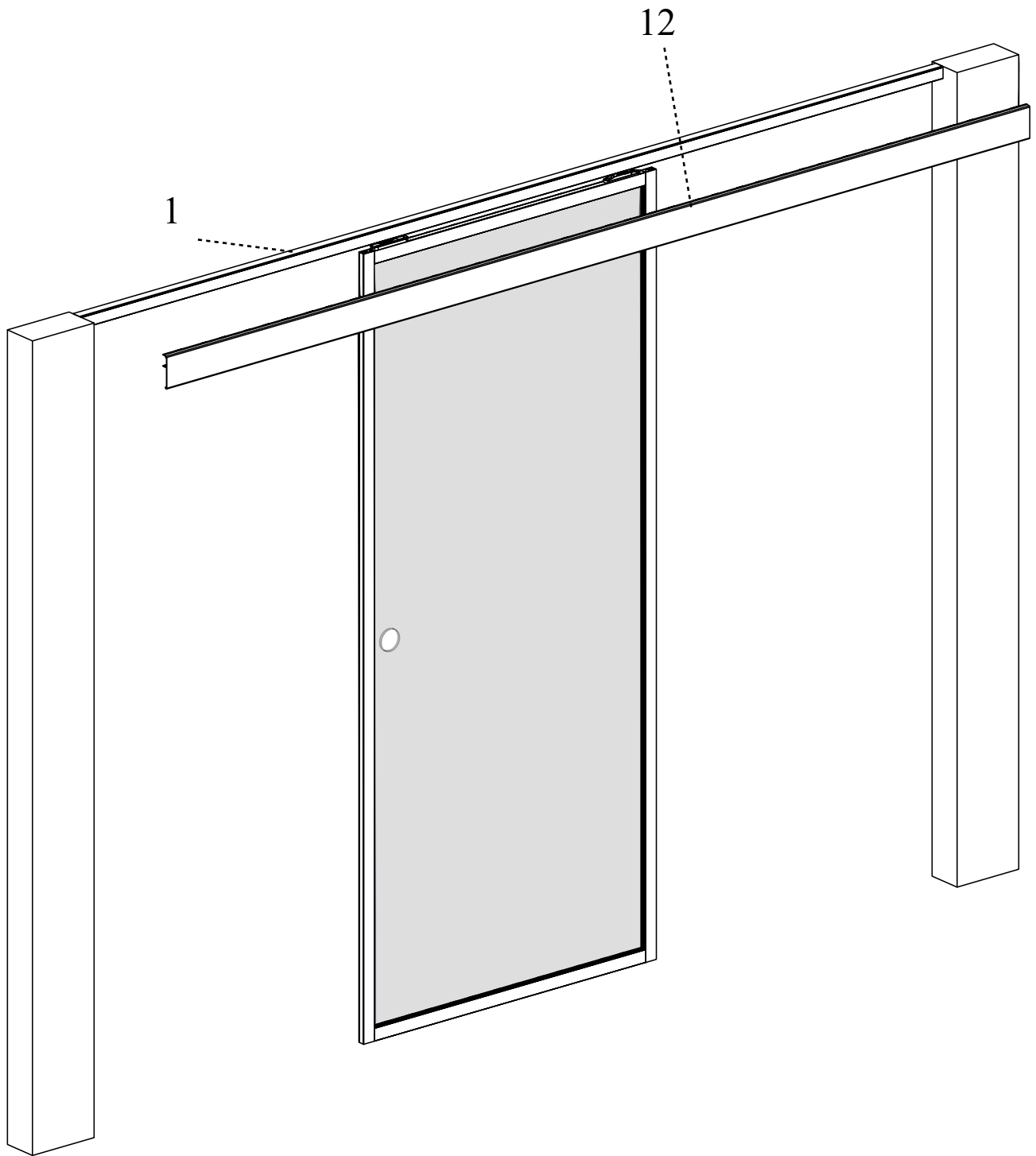
3



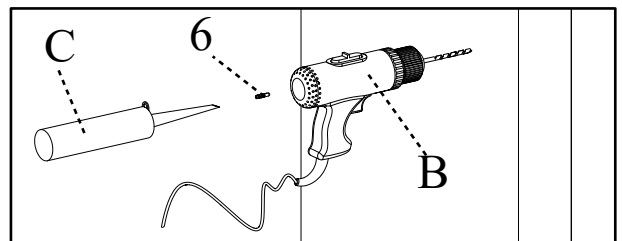
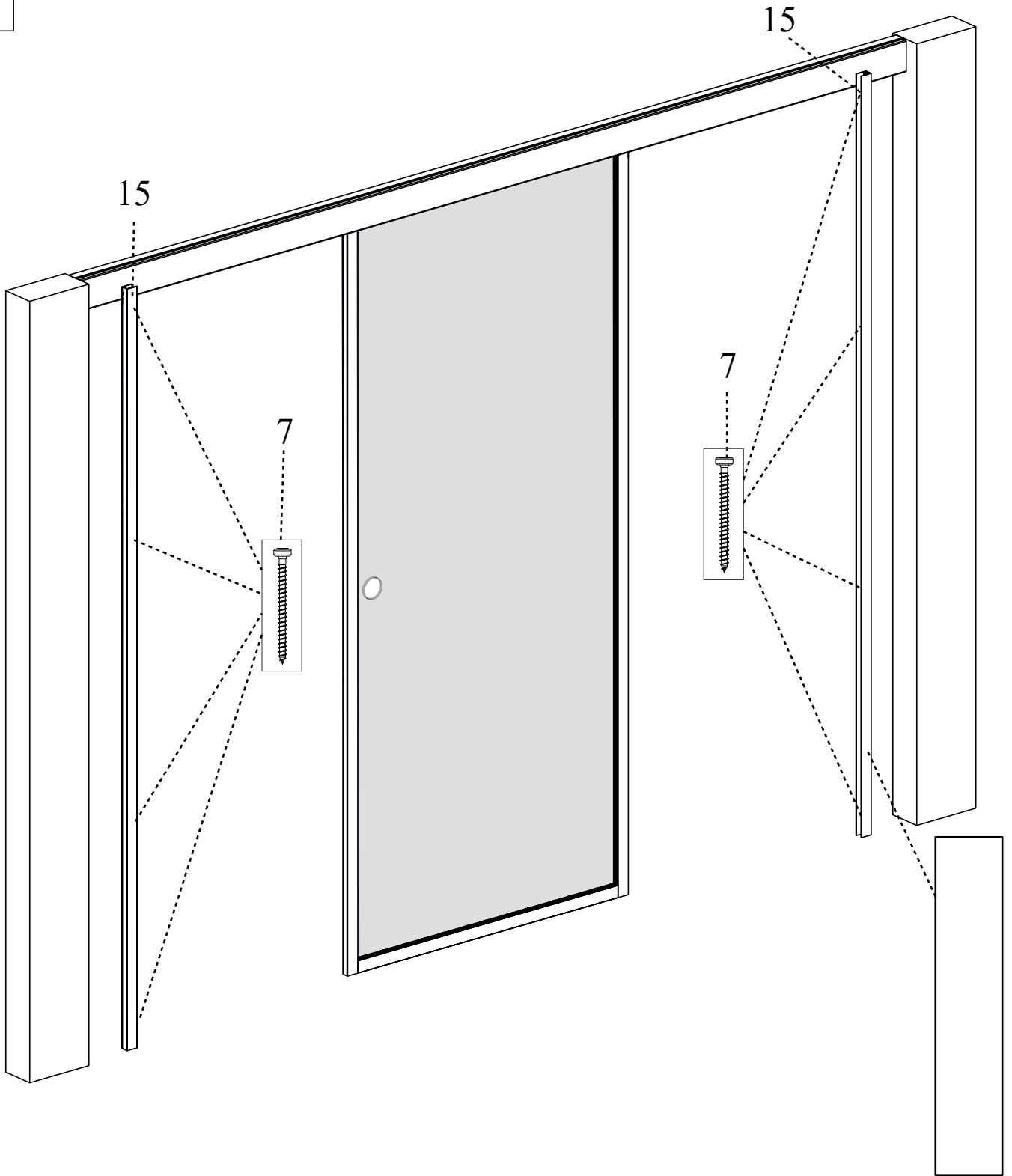
4



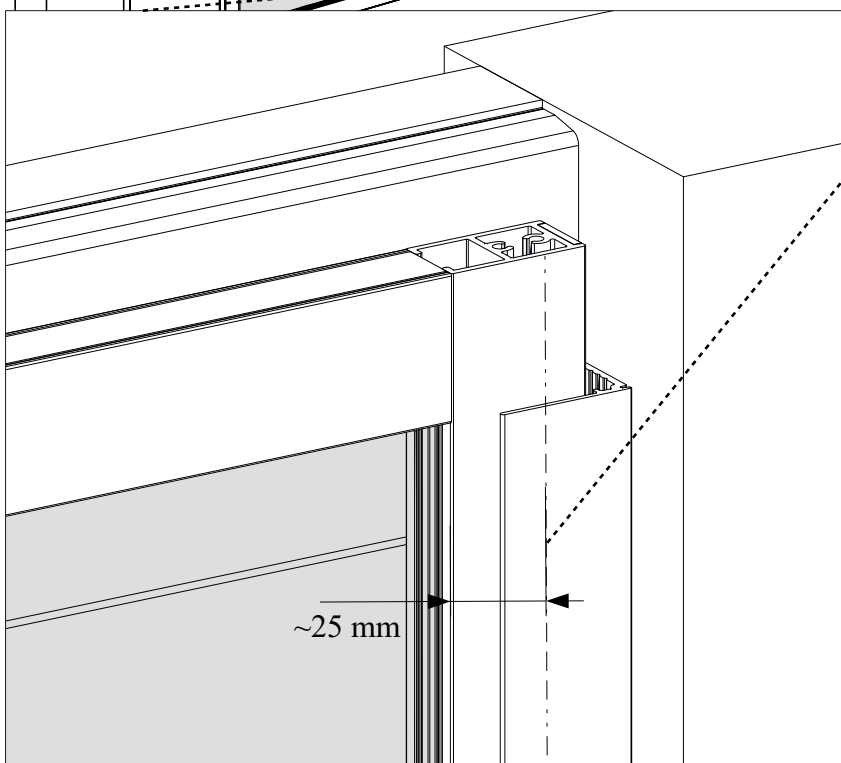
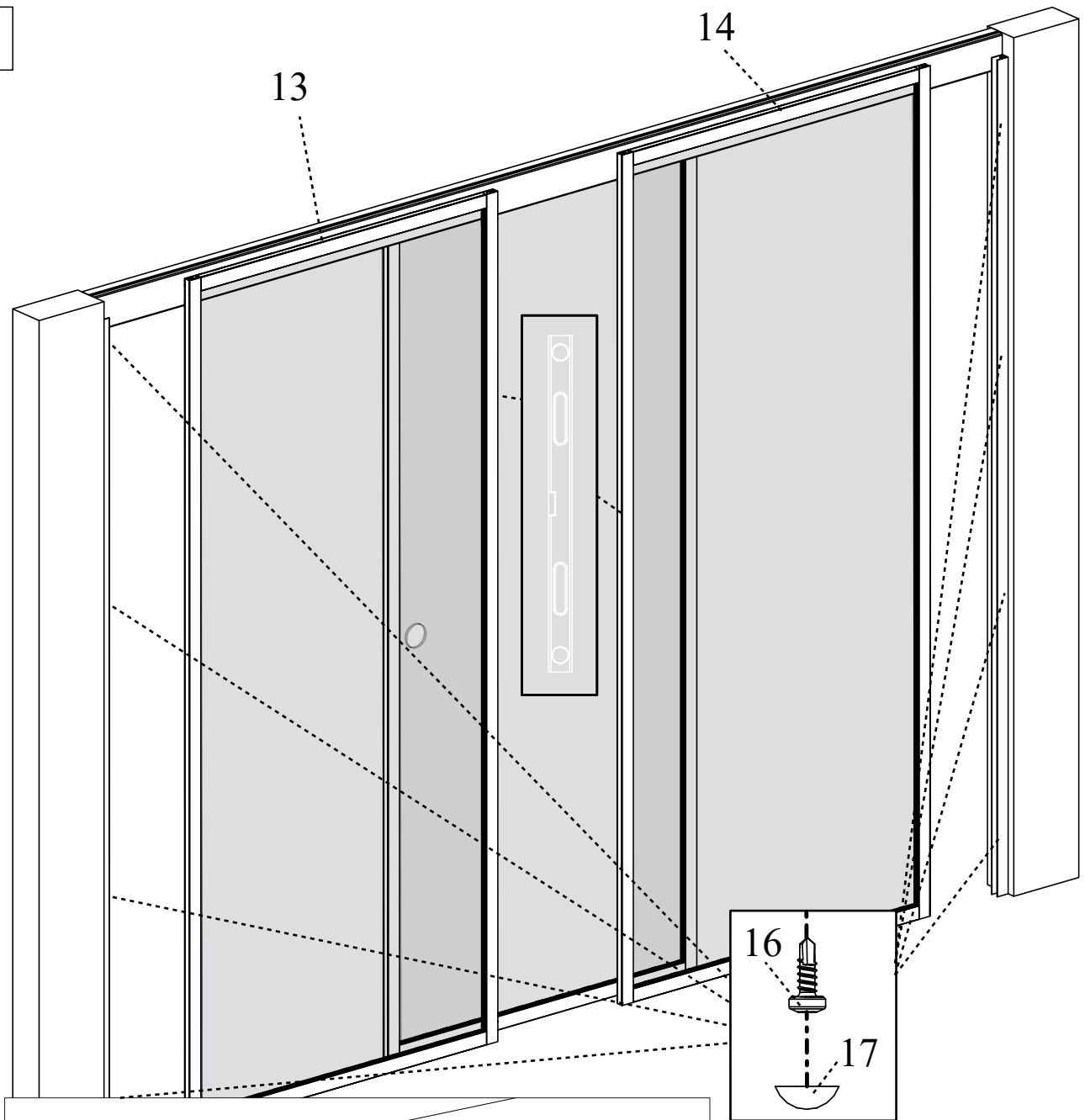
5

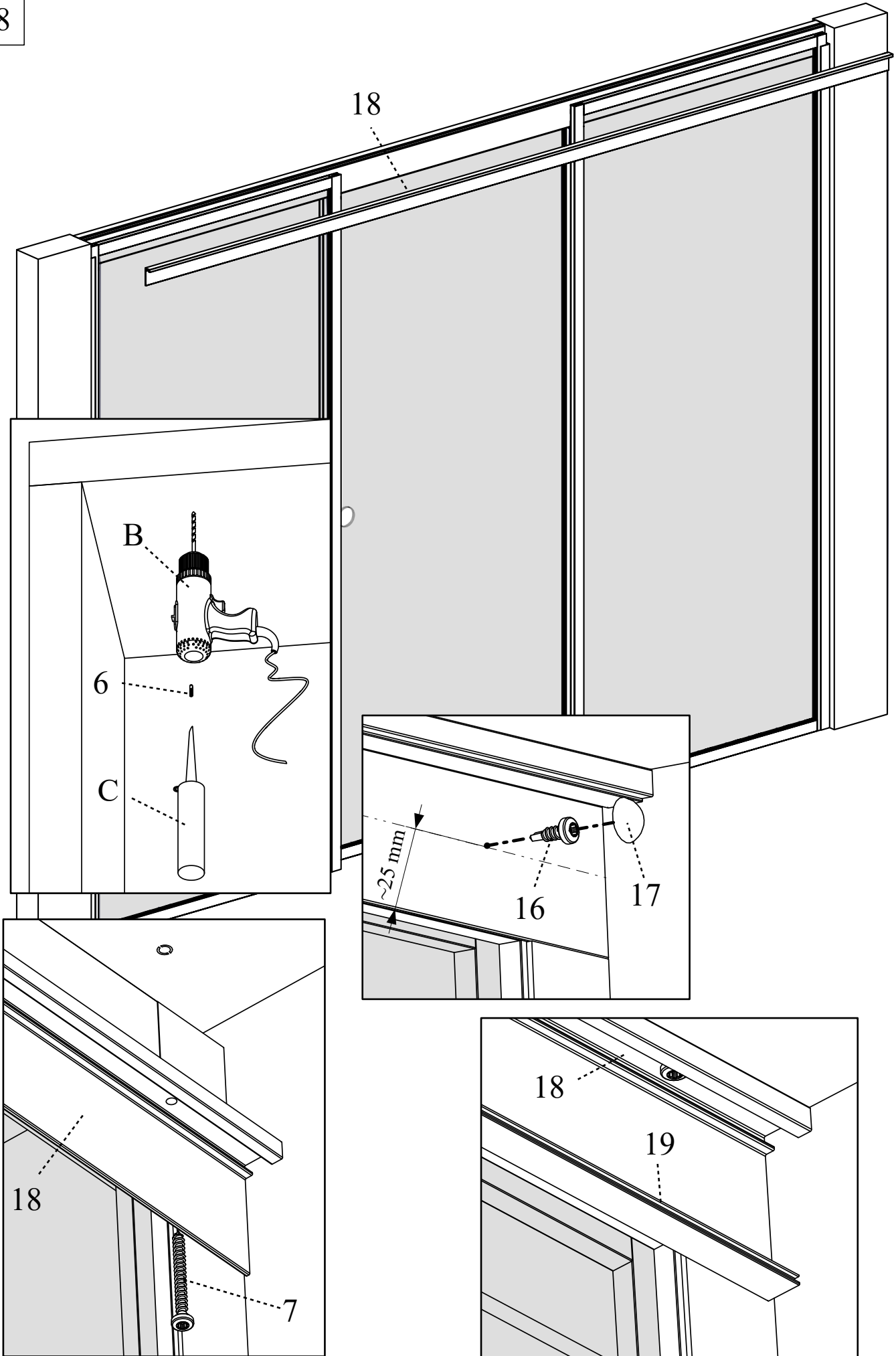


6

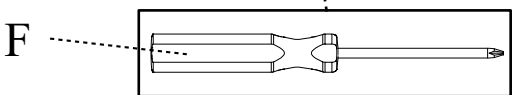
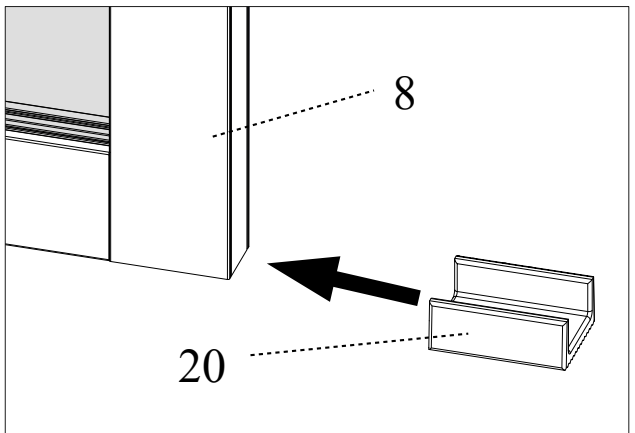
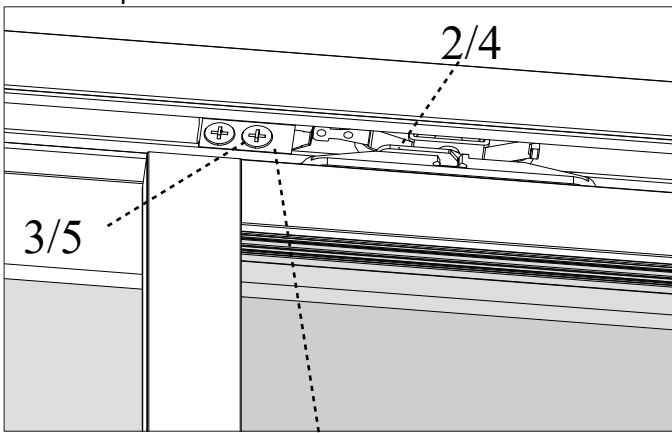
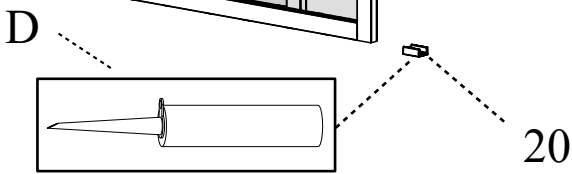
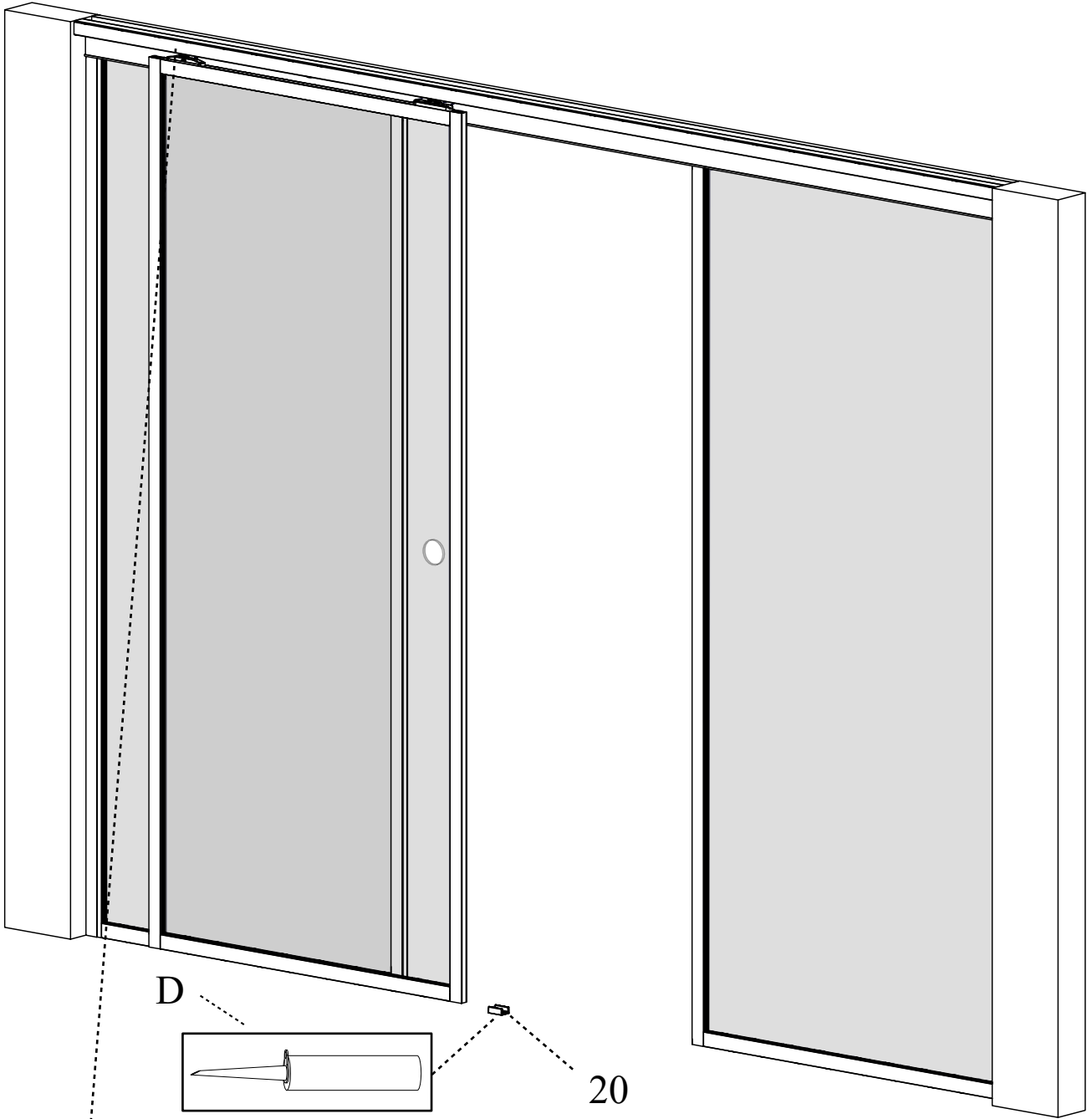


7





9



10

12

11

